



## B5 & B20 SERIES UNITS

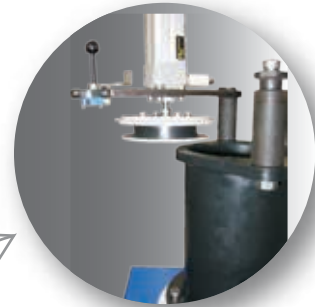
### PUR Adhesive Melters

The Valco Melton B5 and B20 Units of PUR Adhesive Melter offers the high melting rate you need to speed up work and reduce adhesive waste by utilizing a specially designed tank specifically created for melted PUR. Valco Melton's B5 & B20 Units also ensure easy maintenance with a simple anchoring flanges system that requires little effort and keeps the tank clean.

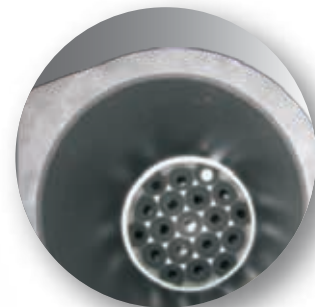
- No need to manipulate PUR
- Forget unwrapping, the adhesive goes directly to the melting tank
- No weekend shutdown is necessary as no cleaning is required

Pneumatic cylinder allows an increased melting rate.

The B Series includes the B5 and B20 slug melters, designed to work with 2kg and 20kg PUR slugs.



No inert gas required. Hermetic tank maintains PUR properties.



Reservoir tank eliminates production stops, even during PUR slug changes.





Total security and easier maintenance. The tank stays cold during the melting process so the PUR slug will stay solid everywhere needed except for the side in contact with the melting grate. This keeps the melted adhesive at a low level and ensures that the PUR slug will not degrade.



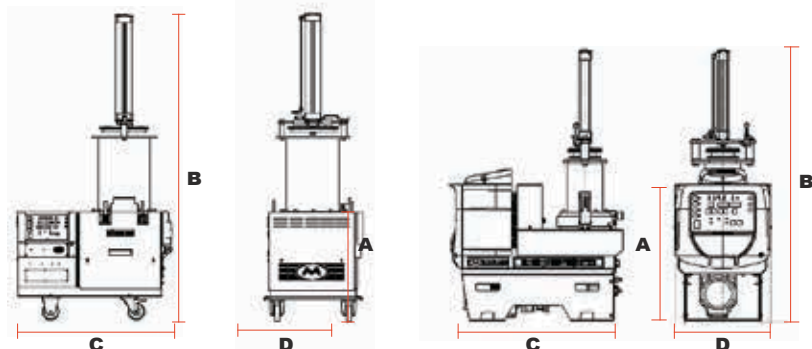
PUR slug goes directly into the tank-- no need to unwrap. This eliminates all risks of adhesive degradation.

## Technical Specifications

B Series Units Technical Specifications		
Unit	B5	B20
PUR slug size	2,0 Kg	20,0 Kg
Max. Melting rate	6 Kg/h	30 Kg/h
Reservoir tank capacity	1.2 L	2 L
Max. Pumping rate	48 Kg/h	96 Kg/h
Max. Number of pumps	1	2
Max. Working temperature	240° C	240° C
Max. Viscosity	90.000 cps	90.000 cps
Max. Working pressure	100 bar	100 bar
Electrical consumption	2850 W	9880 W
Tank dimensions	130 mm inner Ø x 210 mm length	290 mm inner Ø x 450 mm length
Protection	IP54	IP54

	B5, 2 output electronic board	B20, 4 output electronic board	
Max. Channel power	Channel 1 / Channel 2	Channel 1 / Channel 2	Channel 3 / Channel 4
Per exit (hose and gun)	1500 W	1900 W	
Per channel (hose or gun)	1500 W	1900 W	1900 W

Dimensions (mm)	B5	B20
A	526	646
B	1045	1820
C	725	852.5
D	370	565



For more information, visit [valcomelton.com](http://valcomelton.com) or contact your local Valco Melton representative.

World Headquarters: USA, Cincinnati, Ohio (Corporate Offices) • Tel:+1.513.874.6550 • Fax: +1.513.874.3612

Europe Headquarters: Spain, Navarra • Tel:+34.948.321.580 • Fax:+34.948.326.584

Asia Headquarters: China, Xiamen, Fujian • Tel:+86.592.591.7854 • Fax:+86.592.591.7834

info@valcomelton.com • Serving over 76 Countries Worldwide • valcomelton.com