

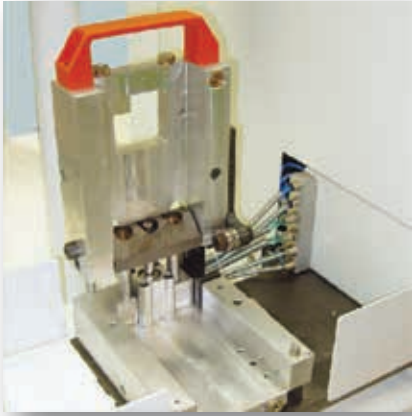
ICE SERIES SYSTEMS

Polyamide Injection Systems

The Valco Melton ICE Series is a complete system to insulate your electrical connectors, specifically designed to integrate perfectly into your existing production line.

- User-friendly operation
- Enables increase in production
- Helps maintain process





Completely guaranteed molds



Built-in refrigeration system

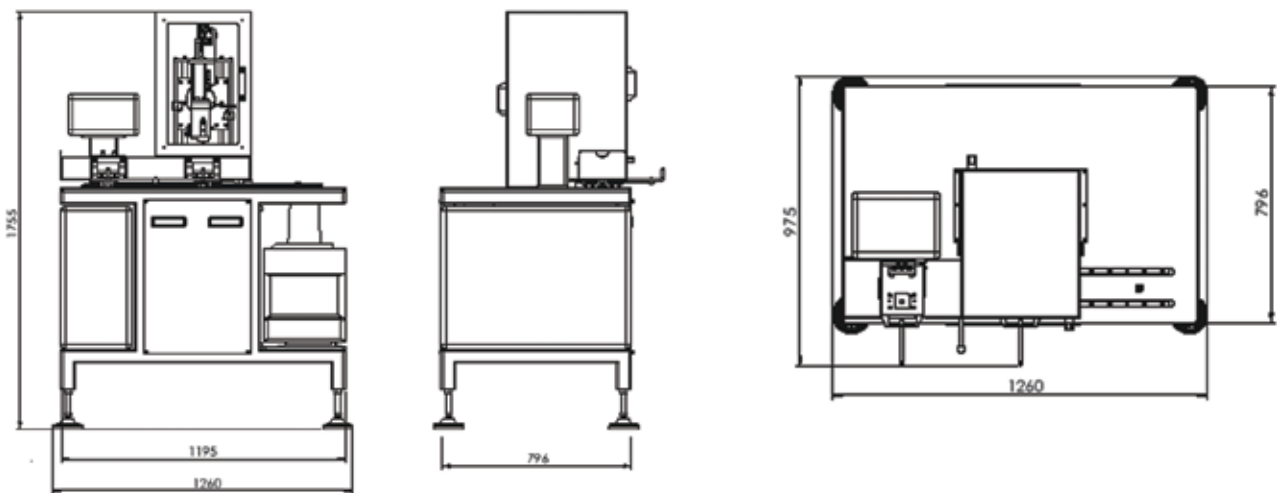


Touch-screen panel for operation

Technical Characteristics

Characteristics	ICE Series Systems		
System:	ICE 201-30	ICE 201-90	ICE 201-L
Mould Size:	Small	Large	Small
Maximum Injection Volume:	37 c.c	95 c.c	45 c.c
Working Temperature:	30 - 240° C		
Working Hydraulic Pressure (bar):	1 to 35 bar	1 to 35 bar	5 to 60 bar

Dimensions



For more information, visit valcomelton.com or contact your local Valco Melton representative.

World Headquarters: USA, Cincinnati, Ohio (Corporate Offices) • Tel:+1.513.874.6550 • Fax: +1.513.874.3612

Europe Headquarters: Spain, Navarra • Tel:+34.948.321.580 • Fax:+34.948.326.584

Asia Headquarters: China, Xiamen, Fujian • Tel:+86.592.591.7854 • Fax:+86.592.591.7834

info@valcomelton.com • Serving over 76 Countries Worldwide • valcomelton.com