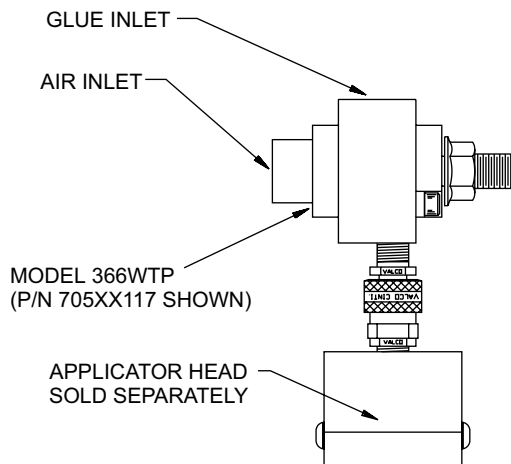
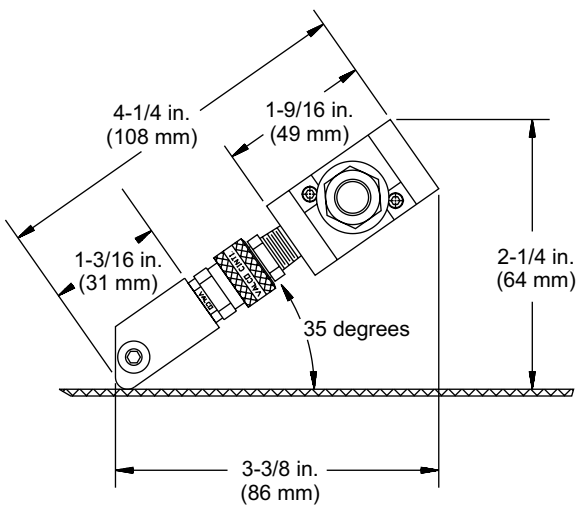
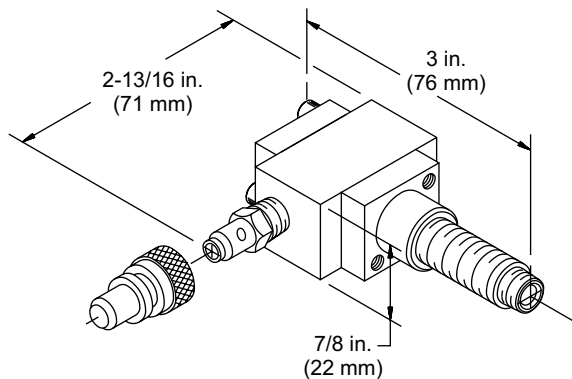


366 Glue Valve

multi-application, contact extrusion valve



The patented **366 valve** is a stainless-steel extrusion valve for multiple cold-glue applications. The innovative design provides a reliable and extremely high cycle life. The compact valve can be used alone or in parallel with other valves. Multiple applicator heads allow glue patterns up to 6 in. (150 mm). The contact extrusion valve accommodates a wide viscosity range up to 2000 cps. The 366 valve is mounted with quick-connect fittings for easy installation and maintenance. Nozzles are available in tungsten carbide, ceramic, rust-free tool steel, or plastic. The economically priced valve also has a metric version (366M).

Applications

Packaging, case sealing, corrugated lap gluing, palletizing, laminating, tray making, bag sealing, labeling

Technical Data

Height (with applicator head)	4.2 in. (107 mm)
Width	0.875 in. (22.5 mm)
Operating solenoid valve	3-way valve
Control air pressure	90 psi (6 bar)
Max. cycle rate	3500/min
Max. fluid pressure	60 psi (4 bar)
Max. viscosity	2000 cps

COMMON GENERAL PURPOSE VALVE ASSEMBLIES

All Model 366 general purpose valves have a prefix code of 705xx. Determine the last three digits of the part number from the following list. Choices include: mounting style, standard or low-pressure pilot inlet, and fitting.

"G" MOUNT STYLE (1/2-20 MOUNT/1/8 NPT AIR INLET)

Stud Length/ Pilot Inlet	1 1/2 in. (38 mm) STD	1 1/2 in. (38 mm) LP	2 3/4 in. (70 mm) STD	2 3/4 in. (70 mm) LP	4 in. (102 mm) STD	4 in. (70 mm) LP
Swivel Fitting	111	112	113	114	115	116
Rotary Fitting	211	212	213	214	215	216
Fixed Swivel	311	312	313	314	315	316
Rotary Fitting w/ Chained Stopper	711	712	713	714	715	716

"P" MOUNT STYLE (3/8-16 MOUNT / 1/8 NPT AIR INLET)

	Standard Pilot Inlet	Low Pressure Pilot inlet
Swivel Fitting	117	118
Rotary Fitting	217	218
Fixed Swivel	317	318
Rotary Fitting w/ Chained Stopper	717	718

SPECIFIC PURPOSE VALVE ASSEMBLIES

The following valves are assembled for specific machines and applications.

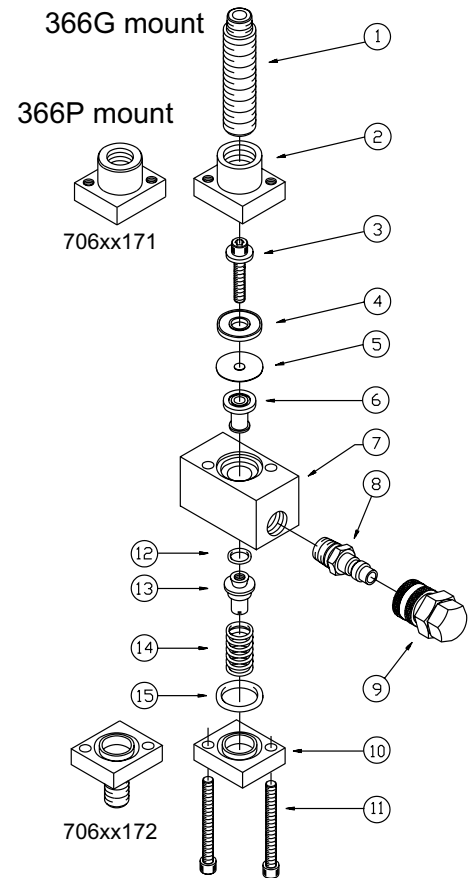
705xx025	366WTP, Glue valve with swivel fitting and 3/8-16 wing_nut. One of two style valves used on labelers .
705xx026	366WTPF, Glue valve with fixed swivel and 3/8-16 wing nut. One of two style valves used on labelers .
705xx024	Glue valve assembled for V-75 (Flexoseal) top-down glue station. Includes fittings and quick disconnects.
705xx043	Glue valve assembled for VO-700 (Flexoseal) bottom-up glue station. Includes fittings and quick disconnects.
705xx016	S366RT, Glue valve with integral rotary fitting and special air inlet. For General and Universal tapers .
705xx023	Glue valve assembled for use with 578xx651 and 578xx652 spring-loaded brackets

Combi-glue station valves and modules

706xx052	Valve module, top-down, fourth-panel side or bottom-up tab side. Includes 706xx051 (366) valve assembly
706xx053	Valve module, top-down, tab side or bottom-up fourth-panel side. Includes 706xx051 (366) valve assembly

(The valve assemblies listed above are typical assemblies. Custom assemblies can be ordered. Contact your Valco Cincinnati sales representative for more information.)

REPLACEMENT PARTS



1	"G" mounting stud (366WGT valve only) Length 1-1/2 in. with 1/8-in. NPT	701xx498
	Length 2-3/4 in. with 1/8-in. NPT	701xx525
	Length 4 in. with 1/8-in. MPT ..	701xx526
2	Pilot inlet 366G mount valves	706xx170
	366P mount valves	706xx171
3	Stem screw diaphragm restrainer assembly	706xx177
4	Diaphragm	706xx100
5	Diaphragm protector	706xx101
6	Stem top	706xx175
7	Valve body	706xx166
8	Male swivel	750xx009
	Non-rotating swivel	750xx011
9	Female stopper	750xx005
10	Lower retainer 366G mount valves	706xx173
	366P mount valves	706xx172
11	Assembly screws (2) 366G mount valves	798xx043
	366P mount valves	798xx041
12	O-ring	745xx098
13	Stem bottom	706xx176
14	Valve spring	706xx102
15	Lower retainer O-ring	745xx066