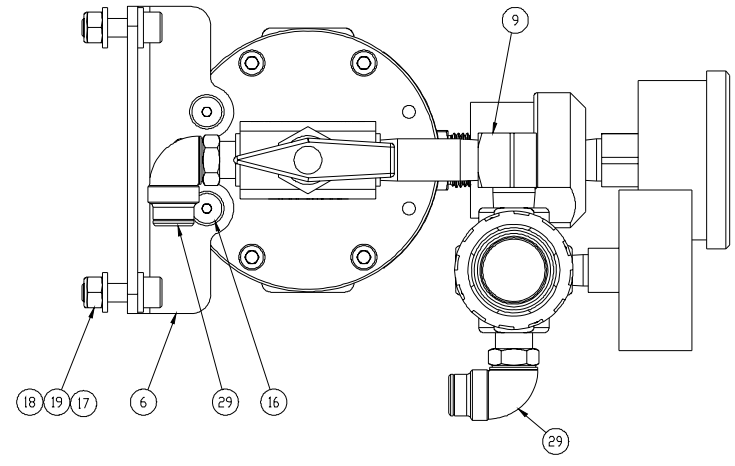
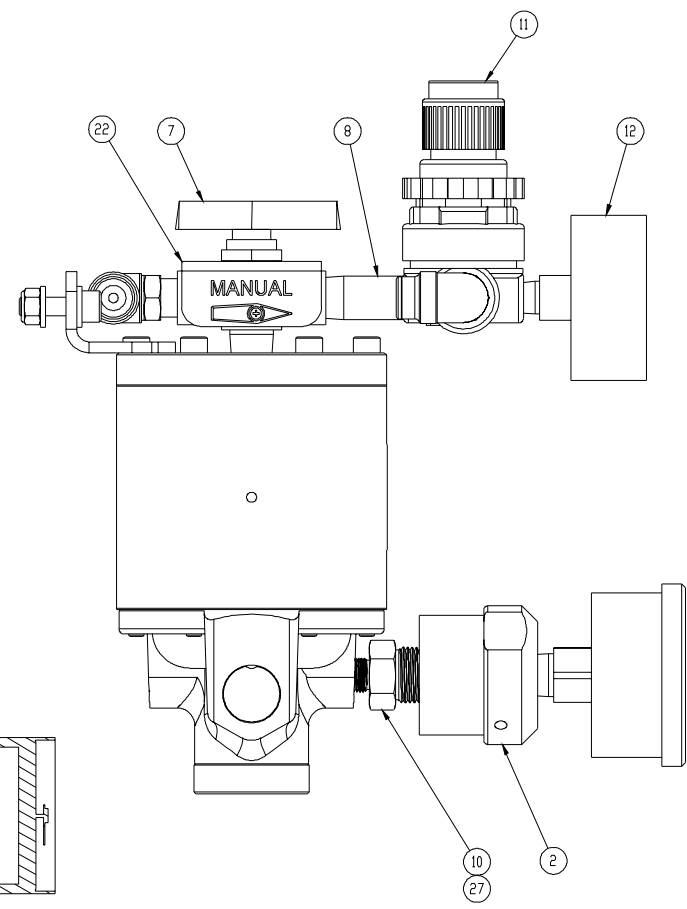
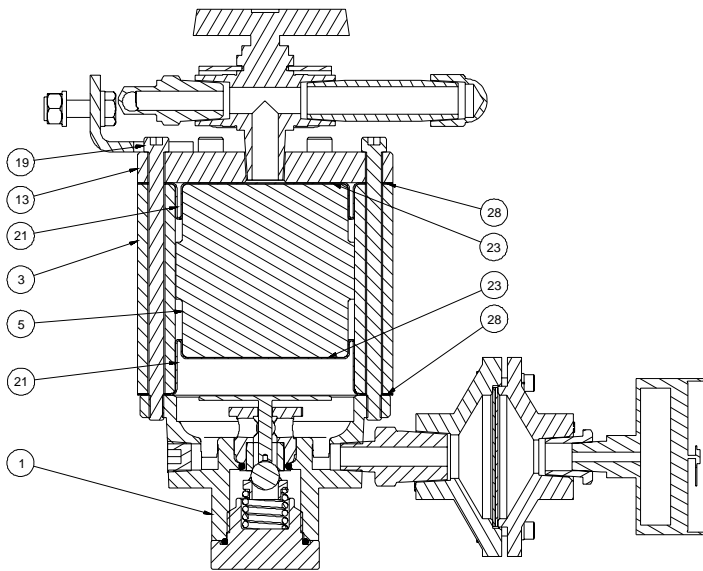


The air-piloted, **pressure-balancing glue regulator** is used with Valco Cincinnati's variable-speed flow controls. The regulator relieves glue pressure during production stops to prevent pattern flooding as production resumes.

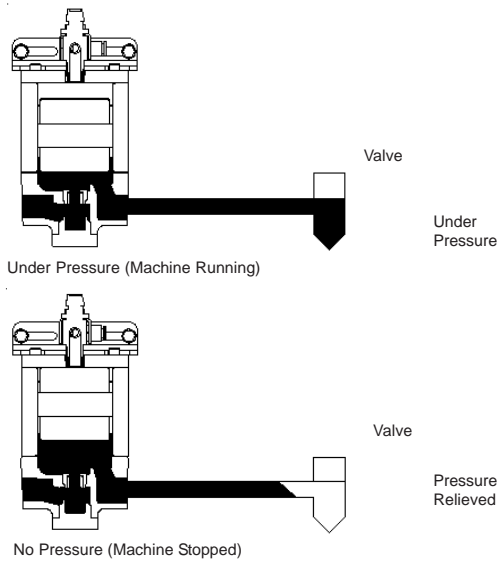
The air pressure-to-glue pressure ratio is approximately 1:1. A 3:1 & 6:1 ratio assembly is also available. The assemblies include a three-way shutoff valve and air pressure regulator that allow operators to bypass the flow control for system purge and testing.



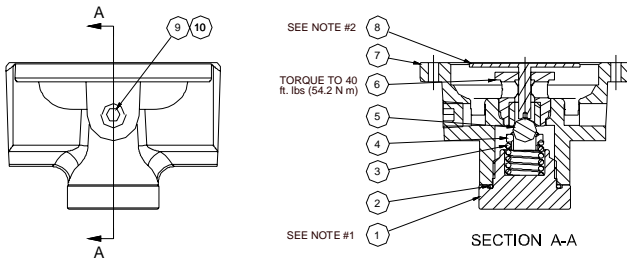
Pressure-Balancing Glue Regulator

for use with variable-speed flow controls (1:1 ratio)

DS066



When used with EPC, the glue pressure decreases as the machine speed decreases. When the machine is stopped, the glue pressure is relieved from the hose connected to the valve. If the valve needs to be purged or fired while the machine is stopped, air must be supplied to the dome of the regulator by a separate air line.



Bowl Assembly (see drawing above)

Bowl Assembly, NPT	593xx411
Bowl Assembly, BSPP	593xx410
1 Bottom Plug	593xx297
2 O-ring	745xx080
3 Spring	593xx055
4 Ball Support	593xx054
5 Ball	593xx053
6 Ball Seat Modification	593xx130
7A Regulator Housing, NPT	593xx350
7B Regulator Housing, BSPP	593xx351
8 Activator Pin	593xx262
9A Pipe Plug, NPT	799xx039
9B Pipe Plug, BSPP	799xx690

Glue Regulator Assemblies (see drawing on front)

Glue Regulator, 1:1 ratio, 0–160 psi, NPT	593xx408
Glue Regulator, 1:1 ratio, 0–12 bar, BSPP	593xx413
1A Bowl Assy	593xx411
1B Bowl Assy, Metric	593xx410
2A Gauge and Protector Assy.	786xx066
2B Gauge HP	786xx001
3 Cylinder	593xx415
4 Cap	593xx414
5 Piston	593xx412
6 Bracket	593xx416
7 3-way Ball Valve	704xx745
8 Nipple	797xx089
9 Street Elbow	797xx007
10A Reducer	792xx330
10B Adapter	792xx135
11 Regulator, Air	594xx114
12 Gauge	786xx001
15 Screw	784xx595
16 Screw	798xx296
17 Screw	784xx426
18 Hex Nut	798xx416
19 Flat Washer	784xx183
21 Diaphragm	746xx114
22 Label	781xx817
23 Adhesive Transfer Tape	781xx818
24 Tubing	755xx528
26 Label	794xx917
27 Washer	793xx470
29 Elbow, 90 degree	799xx821
30 8mm "Y" Fitting	799xx678
31 Tube End Expander	799xx478

Rebuild Kit

Rebuild kit for 1:1 Regulator Assembly, EP	593xx530
Rebuild kit for 1:1 Regulator Assembly, Viton	593xx418
1 Rolling Diaphragm	746xx114
2 Tape, adhesive transfer	781xx821
3 Fixture, rebuild kit	593xx417
4 O-ring*	746xx163
O-ring**	745xx080
5 Spring	593xx055
6 Ball Support	593xx054
7 Ball	593xx053
8 Ball seat assy, epdm seals*	593xx526
Ball seat assembly**	593xx130
9 Male Quick Disconnect	752xx004
10 Bushing Reducer 1/2 x 1/4	797xx049
11 Hex head pipe plug 1/2	797xx040
12 Activator pin, regulator	593xx262
13 Instruction Sheet 1:1 prop reg	IS0291

*Included in EP kits.

**Included in Viton kits