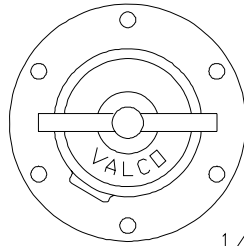
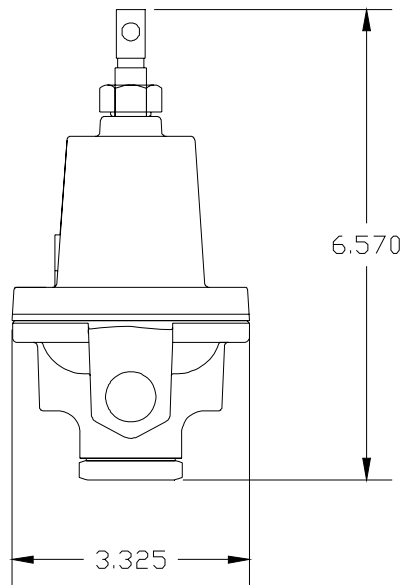
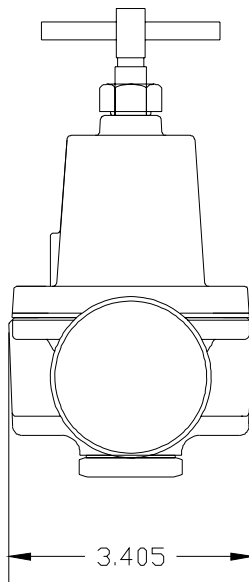
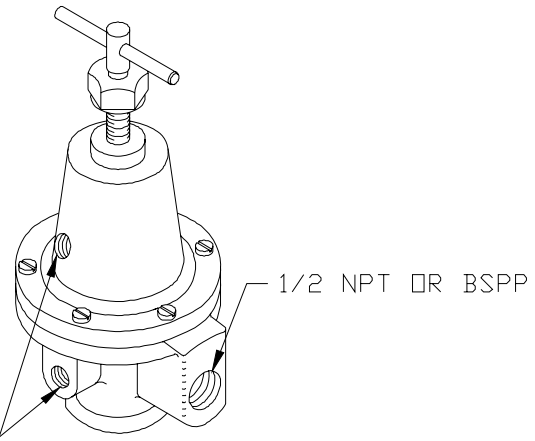


The **832 Regulator** is a versatile, general purpose glue regulator that reduces pressure to a manageable and consistent level, ensuring even product flow. The downstream pressure can be controlled manually by the T-handle, or remotely with an external air supply, controlled by an electronic pressure control (EPC).



1/8 NPT OR BSPP



GAUGE AND PROTECTOR ASSEMBLIES	
PN	DESCRIPTION
786XX065	GAUGE & PROTECTOR 0-160 PSI
786XX066	GAUGE & PROTECTOR 0-60 PSI
786XX086	GAUGE & PROTECTOR 0-30 PSI

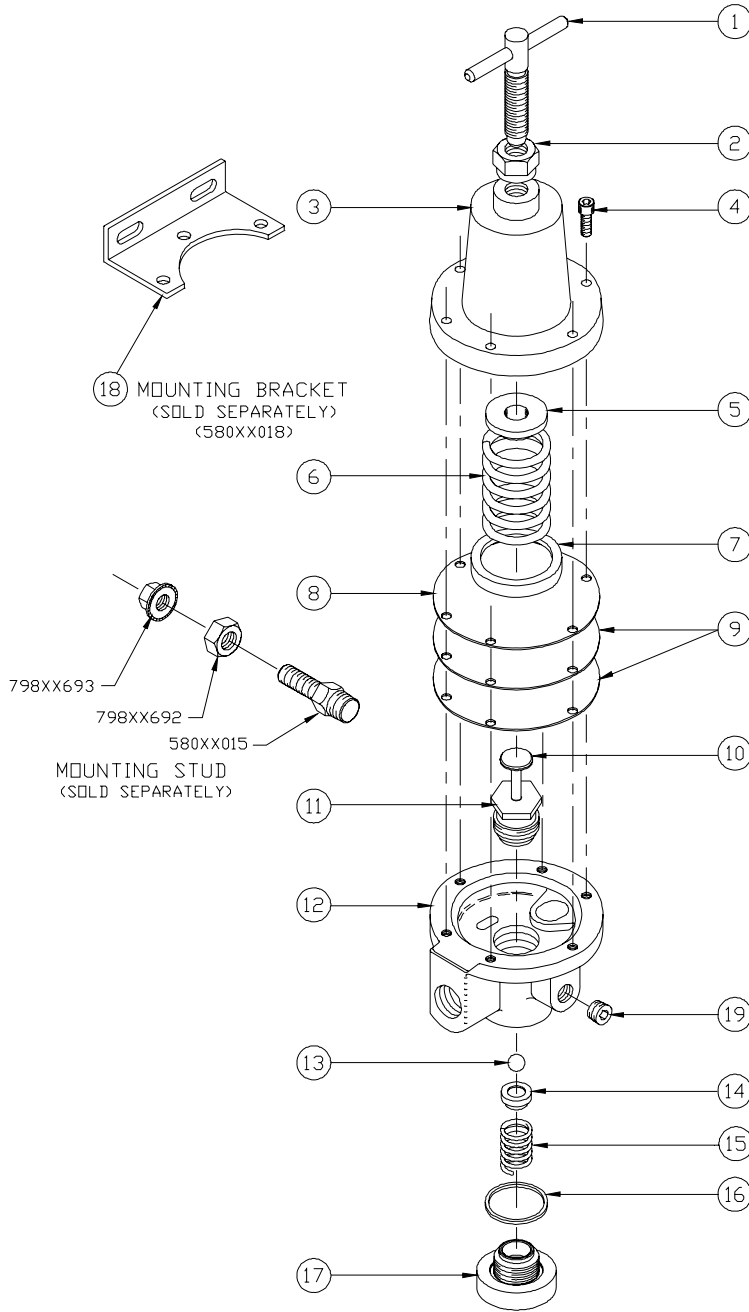
ACCESSORIES
REGULATOR MOUNTING BRACKET (832BR)
MOUNTING STUD

VERSIONS			
PN	DESCRIPTION	PRESSURE RANGE	REPAIR KIT
593XX036	832 Low Pressure Regulator Imperial	0-60 PSI	593XX038
593XX039	832 High Pressure Regulator Imperial	0-160 PSI	
593XX209	832 Regulator Metric	0-125 PSI	593XX264
593XX259	832 Robond Regulator Metric	5-125 PSI	
593XX374	832 Topack Regulator Metric	5-125 PSI	



Model 832 Regulator

REPLACEMENT PARTS



ITEM	PN	DESCRIPTION
1	593XX280	TEE HANDLE ASSEMBLY
2	793XX737	SEALING NUT; M10 X 1,5MM
3	593XX352	UPPER HOUSING
4	798XX047	SHCS, M5 X 20MM
5	593XX045	DISC
6A	593XX046	SPRING, LOW PRESSURE
6B	593XX061	SPRING, HIGH PRESSURE
7	593XX047	SPRING SUPPORT
8	593XX048	DIAPHRAGM
9	593XX049	DIAPHRAGM PROTECTOR
10A	593XX050	ACTIVATOR PIN
10B	593XX262	ACTIVATOR PIN (1.75 DIA PIN)
11	593XX130	BALL SEAT MODIFICATION
12	593XX350	LOWER HOUSING
13	593XX053	BALL
14	593XX054	BALL SUPPORT
15A	593XX055	SPRING
15B	793XX825	SPRING
16	745XX080	O-RING
17	593XX297	BOTTOM PLUG
18	580XX018	MOUNTING BRACKET
19	799XX039	PIPE PLUG 1/8NPT
20A	999XC593-04	ILLUSTRATION DRAWING
20B	999XD593-05	ILLUSTRATION DRAWING
21	795XX614	LABEL VALCO MELTON

REPAIR KITS

593XX038 Repair Kit	Contains items 2, 8, 9, 10A, 11, 13, 14, 15, 16
593XX264 Repair Kit	Contains items 2, 8, 9, 10B, 11, 13, 14, 15, 16, 20B
593XX391 Repair Kit	Contains items 2, 8, 9, 10B, 11, 13, 14, 15B, 16, 20B

Design specifications subject to change without notice.

© Valco Cincinnati Inc. All Rights Reserved.

DS103

Model 832 Regulator

5/2015

Valco Cincinnati Incorporated
411 Circle Freeway Drive
Cincinnati, Ohio 45246, USA
TEL: (1) 513-874-6550
FAX: (1) 513-874-3612

Melton S.L.U.
Pol. Industrial Agustinos
calle G, n. 34
31160 Orcoyen, Navarra, Spain
TEL: (34) 948-321-580
FAX: (34) 948-326-584

Valco Cincinnati, Ltd.
Unit 7-8
Hortonwood 32
Telford TF1 7YN England
TEL: (44) 1952-677911
FAX: (44) 1952-677945

Valco Cincinnati GmbH
Bonnerstrasse 349
40589 Dusseldorf-Benrath,
Germany
Tel: +49 211 984 798-0
Fax: +49 211 984 798-20

Valco Melton France
Technoparc des Hautes Faventines
32 Rue Jean Bertin
26000 Valence
Tel: +33 (0)4 75 78 13 73
Fax: +33 (0)4 75 55 74 20