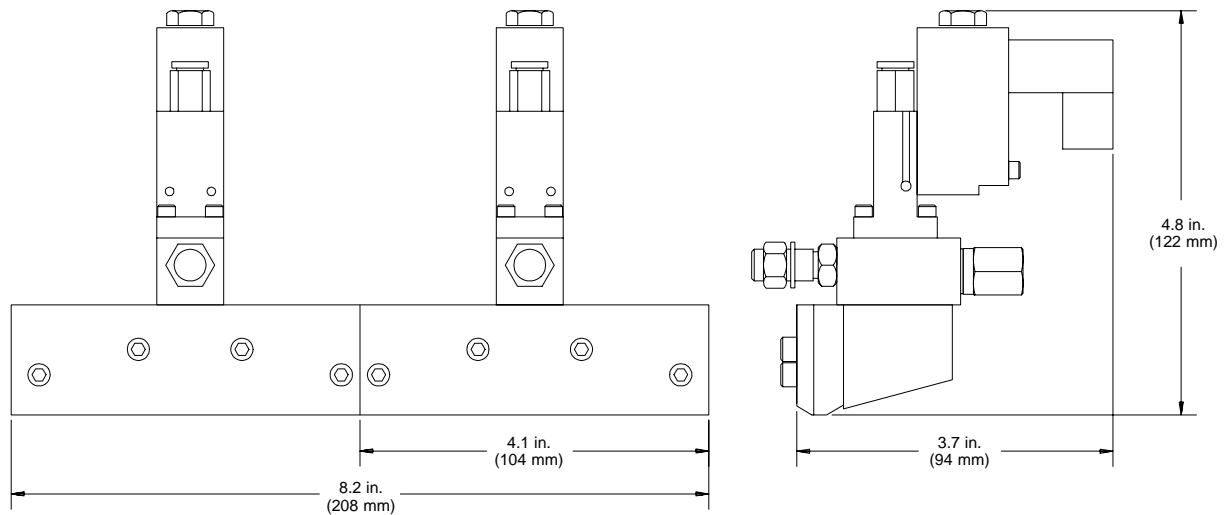


369 Cold-Glue Slot Coater

for application of wide, ribbon-type glue patterns



- Front-seal envelope gumming
- Cross-web gluing
- Laminating

The **Model 369 slot coater** is a direct-contact extrusion applicator designed for wide, ribbon-type glue patterns. The ribbon coater is suited for use with resin adhesives with viscosities from 1500 to 2500 cps. A variety of paper, nonwoven, or plastic substrates can be coated. The 369 air-opened/spring-closed valve features an integral three-way solenoid air valve for 12VDC operation.

Valco Cincinnati's slot coating applicators use 4-inch block modules. Built into each module is a valve assembly that supplies adhesive for up to a 4-inch-wide pattern. Block modules can be combined with pattern blades for pattern widths up to 12 inches.

The pattern blade is a two-piece assembly that mounts directly to the block module. A pattern shim is installed between the two pieces. The product contact surfaces of the pattern blade assembly are precision ground to produce a matched set. Available in 4-inch, 8-inch, and 12-inch widths, the pattern blade assembly can be shimmed for any pattern width up to its maximum.

The thickness of the pattern shim determines the volume or thickness of the ribbon pattern. Other factors that may affect pattern thickness are material viscosity, fluid pressure, and web/machine speed. Standard shim sizes are 0.004, 0.006, 0.008, and 0.010 inch to accommodate a range of needs.

Order numbers

For pattern widths up to 4 in. (102 mm):

369 ribbon coater assembly	708xx174
Pattern shim, thickness of 0.004 in. (0.10 mm)	708xx188
Pattern shim, thickness of 0.006 in. (0.15 mm)	708xx189
Pattern shim, thickness of 0.008 in. (0.20 mm)	708xx190
Pattern shim, thickness of 0.010 in. (0.25 mm)	708xx191

For pattern widths up to 8 in. (203 mm):

369 ribbon coater assembly	708xx175
Pattern shim, thickness of 0.004 in. (0.10 mm)	708xx192
Pattern shim, thickness of 0.006 in. (0.15 mm)	708xx193
Pattern shim, thickness of 0.008 in. (0.20 mm)	708xx194
Pattern shim, thickness of 0.010 in. (0.25 mm)	708xx195

For pattern widths up to 12 in. (305 mm):

369 ribbon coater assembly	708xx176
Pattern shim, thickness of 0.004 in. (0.10 mm)	708xx196
Pattern shim, thickness of 0.006 in. (0.15 mm)	708xx197
Pattern shim, thickness of 0.008 in. (0.20 mm)	708xx198
Pattern shim, thickness of 0.010 in. (0.25 mm)	708xx199

Accessories

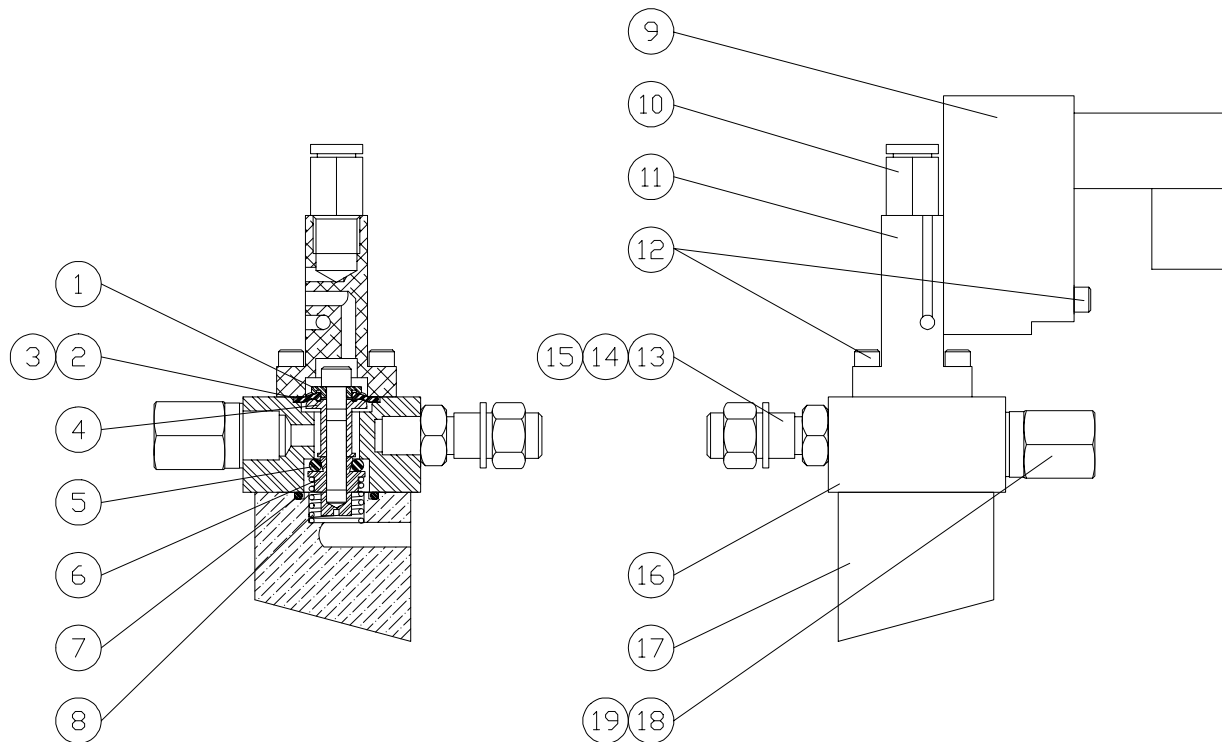
Blade set, for pattern widths up to 4 in. (102 mm)	708xx185
Blade set, for pattern widths up to 8 in. (203 mm)	708xx186
Blade set, for pattern widths up to 12 in. (305 mm)	708xx187

Replacement parts

Ribbon-coater module assembly (shown below)	708xx177
1 Stem screw assembly	706xx177
2 Diaphragm	706xx100
3 Diaphragm protector	706xx101
4 Stem top	706xx175
5 O-ring	745xx098
6 Stem bottom	706xx176
7 O-ring	745xx066
8 Spring	706xx102
9 Three-way solenoid air valve, 12VDC	411xx433
10 1/4 tube x 1/8 NPT	799xx157
11 Air manifold	753xx364
12 Socket-head cap screw, M3 x 30 mm	798xx180
13 Mounting stud, 3/8-16	581xx035
14 Hex nut, 3/8-16	798xx679
15 Lock washer, 3/8	798xx742
16 Valve body	703xx944
17 Spool manifold	708xx178
18 Copper washer	793xx470
19 Adapter, 1/8 NPT x 1/8 BSPP	792xx135

Valve seal kit

706xx178



Design specifications subject to change without notice.

DS049 369 Ribbon Coater Data Sheet September 1999

Valco Cincinnati Incorporated
 411 Circle Freeway Drive
 Cincinnati, Ohio 45246, USA
 TEL: (1) 513-874-6550
 FAX: (1) 513-874-3612

Valco Cincinnati Limited
 Hortonwood 32
 Telford, TF1 4EU, United Kingdom
 TEL: (44) 1952-677911
 FAX: (44) 1952-677945

Valco Cincinnati GmbH
 Storkower Str. 6
 15749 Gallun, Germany
 TEL: (49) 33764 870-0
 FAX: (49) 33764 870-70