

THE 524EC SERIES VALVES ARE SOLENOID OPERATED FOR PRECISE GLUE PATTERNS AT HIGH MACHINE SPEEDS. THE MALE SWIVEL ADAPTER ALLOWS FOR THE MOUNTING OF A BOARDRUNNER APPLICATOR HEAD. THE VALVE FEATURES A CERAMIC TIPPED PLUNGER ASSEMBLY AND NO DYNAMIC SEALS FOR LONG LIFE. THE 524ECR VERSION OFFERS AN ADJUSTABLE STROKE FOR MORE FLEXIBLE PATTERN CONTROL

**APPLICATIONS**

FOLDING CARTONS, ENVELOPES, MAILERS AND ANY HIGH PRESSURE, HIGH SPEED, NON-CONTACT APPLICATIONS

**TECHNICAL DATA**

COIL RESISTANCE - 5.3 OHMS  
 VALVE WIDTH - 25mm (.984in)  
 VALVE HEIGHT (ECR) - 134.58mm (5.298in)  
 VALVE HEIGHT (ECT) - 122.66mm (4.829in)  
 MAX FLUID PRESURE - 500psi  
 VISCOSITY RANGE - 0 - 4000 cps  
 HOLD VOLTAGE - 6 VDC

**VALVE ASSEMBLIES**

524ECT VALVE (VITON) - 707XX707  
 524ECR VALVE (VITON) - 707XX705  
 524ECT VALVE (EP) - 707XX708  
 524ECR VALVE (EP) - 707XX706

**MAINTENANCE KITS**

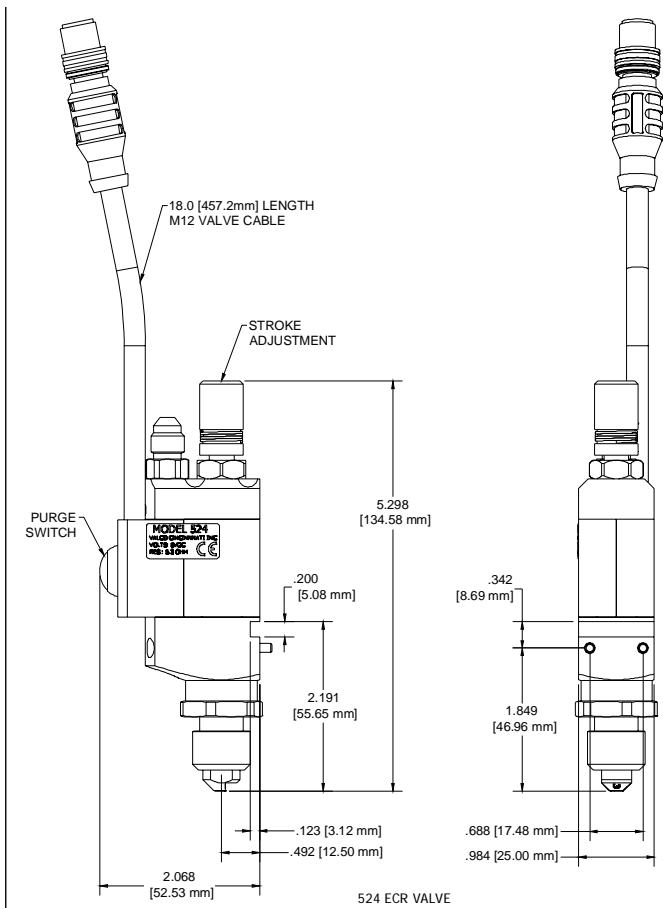
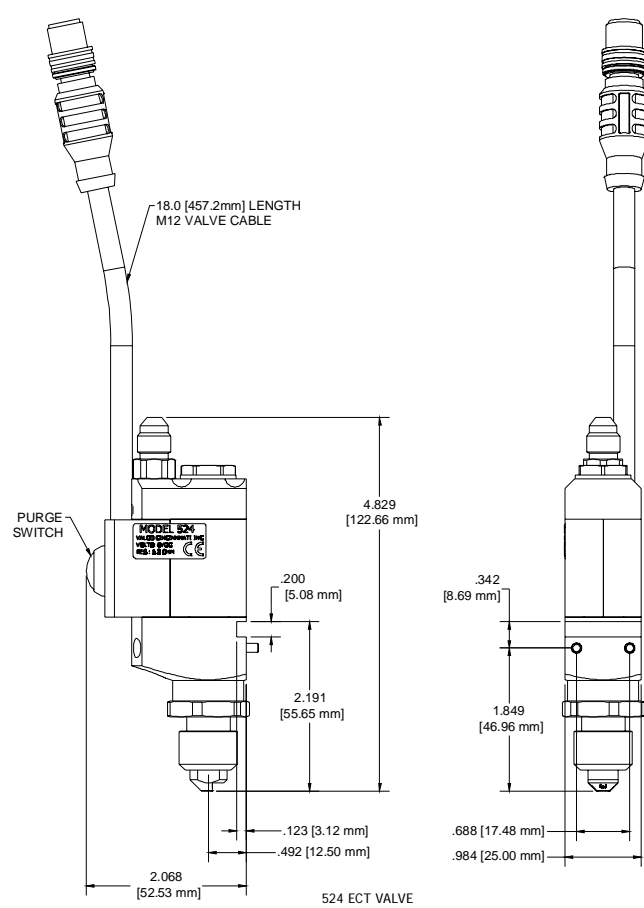
MAINTENANCE KIT (VITON) - 707XX659  
 MAINTENANCE KIT (EP) - 707XX660

MAINTENANCE KITS INCLUDE:  
 LITHIUM GREASE  
 FLUSHING ADAPTER  
 NOZZLE CLEANING DRILLS  
 CLEANING BRUSH  
 PLUNGER ASSEMBLY  
 O-RINGS  
 SPRING

**REPAIR KITS**

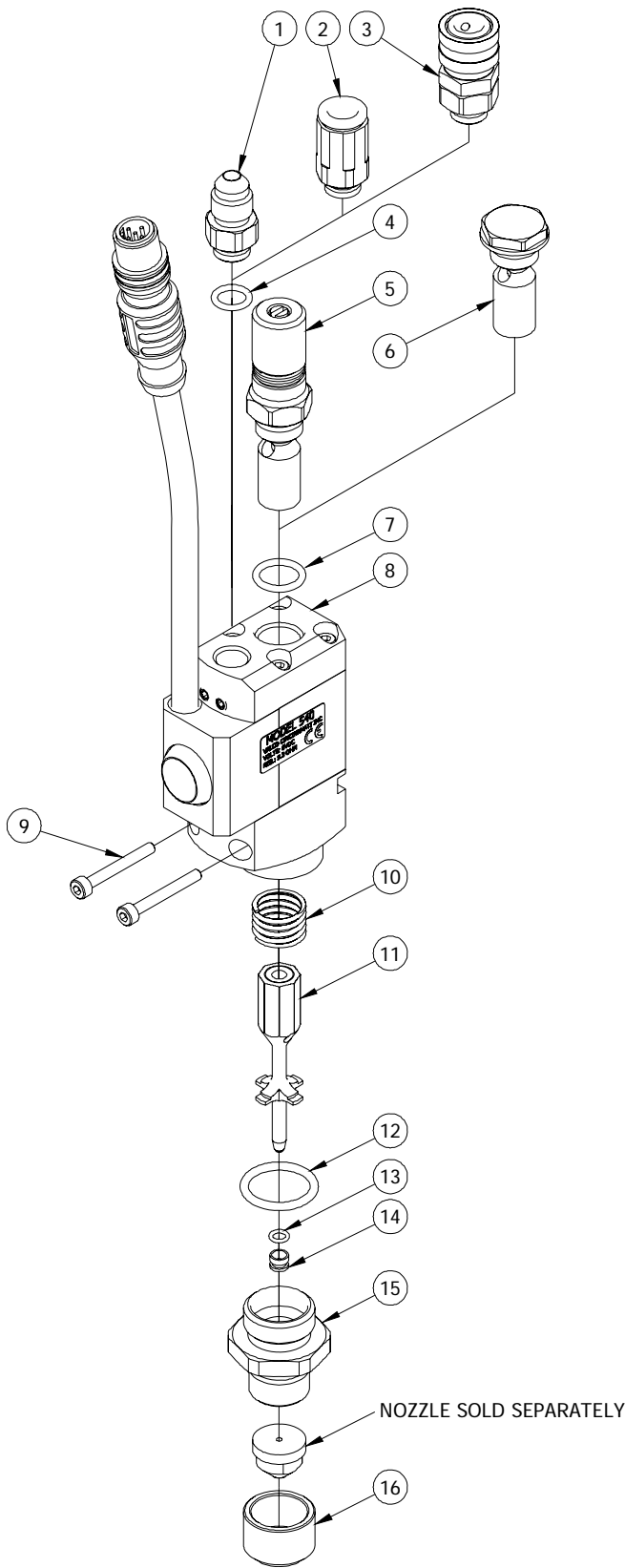
REPAIR KIT (VITON) - 712XX012  
 REPAIR KIT (EP) - 712XX013

REPAIR KITS INCLUDE:  
 O-RINGS  
 SPRING  
 MOUNTING SCREWS



REPLACEMENT PARTS

|    | VITON   | EP                |
|----|---|-------------------|
| 1  | JIC CONNECTOR                                       | 707XX345 707XX618 |
| 2  | 1/8BSP X 8MM CONNECTOR                              | 707XX102 707XX102 |
| 3  | FITTING - SWIVEL                                    | 799XX658 707XX607 |
| 4  | O-RING (INCLUDED W/ ITEMS 1, 2 & 3)                 | 745XX339 746XX119 |
| 5  | ADJUSTABLE BACKSTOP                                 | 707XX472 707XX608 |
| 6  | NON-ADJUSTABLE BACKSTOP                             | 712XX014 712XX015 |
| 7  | O-RING (INCLUDED W/ ITEMS 4 & 5)                    | 745XX340 746XX089 |
| 8  | VALVE SUB ASSEMBLY                                  | 707XX477 707XX477 |
| 9  | SHCS M3 X 25 SS                                     | 798XX049 798XX049 |
| 10 | SPRING  | 783XX042 783XX042 |
| 11 | PLUNGER ASSEMBLY                                    | 707XX529 707XX529 |
| 12 | O-RING (INCLUDED W/ ITEM 15)                        | 745XX007 746XX170 |
| 13 | O-RING (INCLUDED W/ ITEM 14)                        | 745XX527 745XX527 |
| 14 | SEAT ASSEMBLY                                       | 707XX085 707XX085 |
| 15 | ADAPTER ASSEMBLY<br>(INCLUDES ITEMS 12,13, 14 & 16) | 707XX657 707XX658 |
| 16 | RETAINING NUT                                       | 793XX710 793XX710 |



NOZZLE - SINGLE ORIFICE - CERAMIC

- 704XX509 NOZZLE, CONTACT, .016 IN (0.40mm) VEIN
- 704XX402 NOZZLE, CONTACT, .020 IN (0.50mm) VEIN
- 704XX419 NOZZLE, CONTACT, .024 IN (0.60mm) VEIN
- 704XX401 NOZZLE, CONTACT, .028 IN (0.70mm) VEIN
- 707XX066 NOZZLE, CONTACT, .039 IN (1.00mm) VEIN

NOZZLE - SINGLE ORIFICE - CARBIDE

- 704XX886 NOZZLE, CONTACT, .012 IN (0.30mm) VEIN
- 707XX037 NOZZLE, CONTACT, .014 IN (0.35mm) VEIN
- 704XX887 NOZZLE, CONTACT, .016 IN (0.40mm) VEIN
- 704XX888 NOZZLE, CONTACT, .020 IN (0.50mm) VEIN
- 704XX889 NOZZLE, CONTACT, .024 IN (0.60mm) VEIN
- 704XX890 NOZZLE, CONTACT, .028 IN (0.70mm) VEIN

NOZZLE - SINGLE ORIFICE - STAINLESS STEEL

- 704XX449 NOZZLE, CONTACT, .010 IN (0.25mm) VEIN
- 704XX499 NOZZLE, CONTACT, .012 IN (0.30mm) VEIN
- 704XX585 NOZZLE, CONTACT, .014 IN (0.35mm) VEIN
- 704XX010 NOZZLE, CONTACT, .016 IN (0.40mm) VEIN
- 704XX009 NOZZLE, CONTACT, .020 IN (0.50mm) VEIN
- 704XX008 NOZZLE, CONTACT, .024 IN (0.60mm) VEIN
- 704XX007 NOZZLE, CONTACT, .028 IN (0.70mm) VEIN
- 704XX332 NOZZLE, CONTACT, .032 IN (0.80mm) VEIN
- 704XX331 NOZZLE, CONTACT, .039 IN (1.00mm) VEIN

NOZZLE - DUAL ORIFICE - STAINLESS STEEL

- 704XX260 NOZZLE, CONTACT, .016 IN (0.40mm) VEINS  
.24 (6.0mm) CENTERS
- 704XX404 NOZZLE, CONTACT, .020 IN (0.50mm) VEINS  
.24 (6.0mm) CENTERS
- 704XX405 NOZZLE, CONTACT, .024 IN (0.60mm) VEINS  
.24 (6.0mm) CENTERS
- 704XX406 NOZZLE, CONTACT, .028 IN (0.70mm) VEINS  
.24 (6.0mm) CENTERS
- 704XX261 NOZZLE, CONTACT, .016 IN (0.40mm) VEINS  
.31 (8.0mm) CENTERS
- 704XX407 NOZZLE, CONTACT, .020 IN (0.50mm) VEINS  
.31 (8.0mm) CENTERS
- 704XX408 NOZZLE, CONTACT, .024 IN (0.60mm) VEINS  
.31 (8.0mm) CENTERS
- 704XX409 NOZZLE, CONTACT, .028 IN (0.70mm) VEINS  
.31 (8.0mm) CENTERS

Design specifications subject to change without notice. © Valco Cincinnati Inc. All Rights Reserved. DS096 524 ECR/ECT Valve 4/2015

**Valco Cincinnati Incorporated**  
411 Circle Freeway Drive  
Cincinnati, Ohio 45246, USA  
TEL: (1) 513-874-6550  
FAX: (1) 513-874-3612

**Melton S.L.U.**  
Pol. Industrial Agustinos  
calle G, n. 34  
31160 Orcoyen, Navarra, Spain  
TEL: (34) 948-321-580  
FAX: (34) 948-326-584

**Valco Cincinnati, Ltd.**  
Unit 7-8  
Hortonwood 32  
Telford TF1 7YN England  
TEL: (44) 1952-677911  
FAX: (44) 1952-677945

**Valco Cincinnati GmbH**  
Bonnerstrasse 349  
40589 Dusseldorf-Benrath, Germany  
Tel: +49 211 984 798-0  
Fax: +49 211 984 798-20

**Valco Melton France**  
Technoparc des Hautes Faventines  
32 Rue Jean Bertin  
26000 Valence  
Tel: +33 (0)4 75 78 13 73  
Fax: +33 (0)4 75 55 74 20