

THE 524EZ SERIES VALVES ARE SOLENOID OPERATED FOR PRECISE GLUE PATTERNS AT HIGH MACHINE SPEEDS. THE MALE SWIVEL ADAPTER ALLOWS FOR THE MOUNTING OF A BOARDRUNNER APPLICATOR HEAD. THE VALVE FEATURES A CERAMIC TIPPED PLUNGER ASSEMBLY AND NO DYNAMIC SEALS FOR LONG LIFE. THE 524EZ LN SERIES FEATURES AN EXTENDED NOZZLE TO COMPENSATE WHEN A STANDARD VALVE BODY OBSTRUCTS GLUE PLACEMENT. THE 524EZR VERSION OFFERS AN ADJUSTABLE STROKE FOR MORE FLEXIBLE PATTERN CONTROL

APPLICATIONS

FOLDING CARTONS, ENVELOPES, MAILERS AND ANY HIGH PRESSURE, HIGH SPEED, NON-CONTACT APPLICATIONS

TECHNICAL DATA

COIL RESISTANCE - 5.3 OHMS
 VALVE WIDTH - 25mm (.984in)
 VALVE HEIGHT (EZR LN) - 137.37mm (5.408in)
 VALVE HEIGHT (EZT LN) - 125.44mm (4.939in)
 MAX FLUID PRESURE - 500psi
 VISCOSITY RANGE - 0 - 4000 cps
 HOLD VOLTAGE - 6 VDC

VALVE ASSEMBLIES

SEE SHEET 2

MAINTENANCE KITS

MAINTENANCE KIT (VITON) - 707XX839
 MAINTENANCE KIT (EP) - 707XX849

MAINTENANCE KITS INCLUDE:

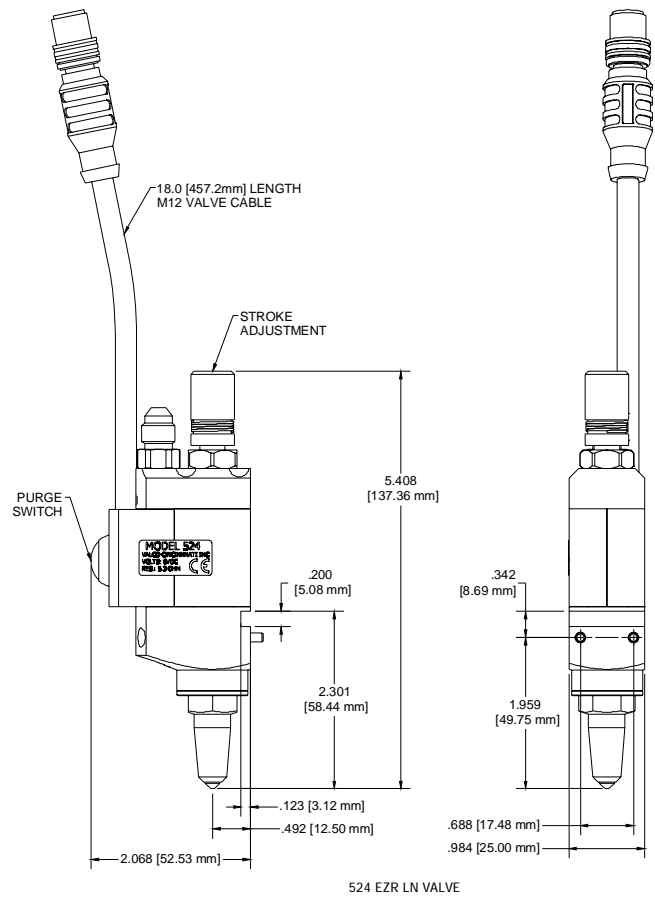
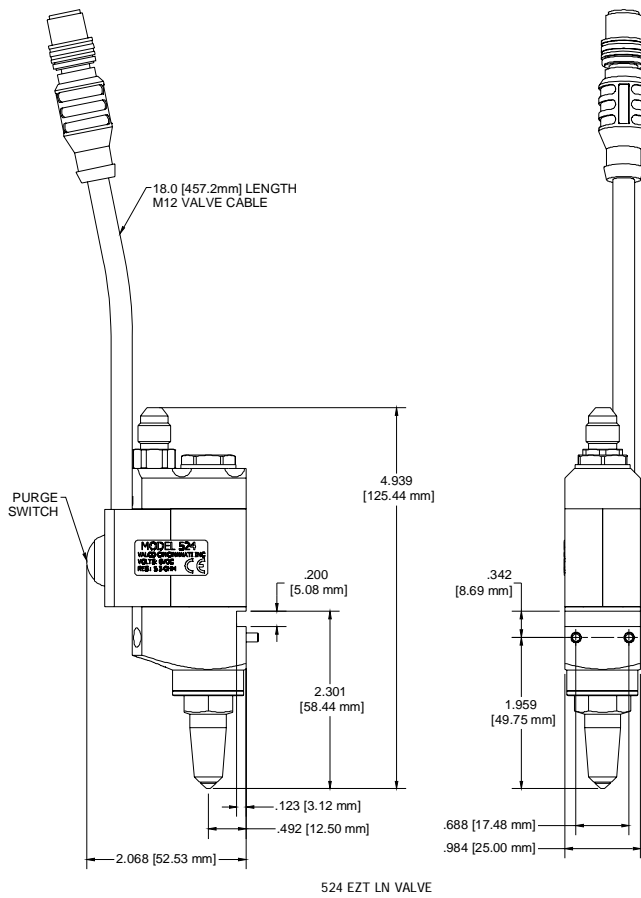
- LITHIUM GREASE
- FLUSHING ADAPTER
- NOZZLE CLEANING DRILLS
- CLEANING BRUSH
- PLUNGER ASSEMBLY
- O-RINGS
- SPRING

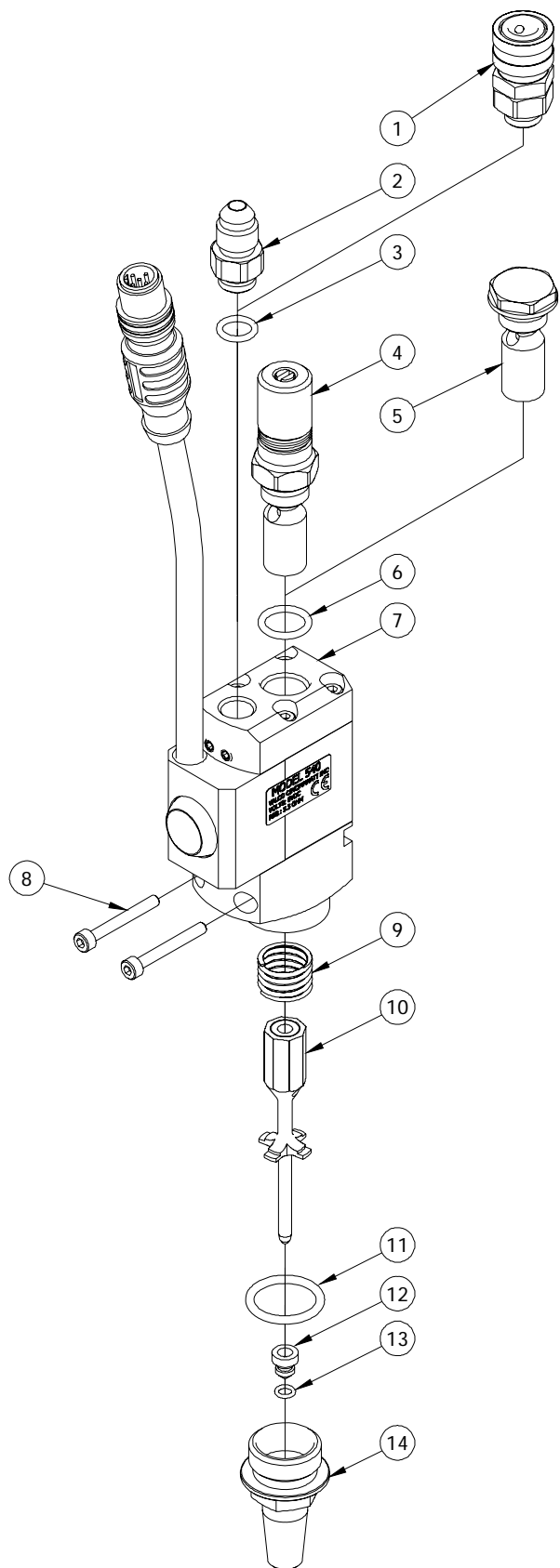
REPAIR KITS

REPAIR KIT (VITON) - 712XX012
 REPAIR KIT (EP) - 712XX013

REPAIR KITS INCLUDE:

- O-RINGS
- SPRING
- MOUNTING SCREWS





REPLACEMENT PARTS

		VITON	EP
1	FITTING - SWIVEL	799XX658	707XX607
2	JIC CONNECTOR	707XX345	707XX618
3	O-RING (INCLUDED W/ ITEMS 1 & 2)	745XX339	746XX119
4	ADJUSTABLE BACKSTOP	707XX472	707XX608
5	NON-ADJUSTABLE BACKSTOP	712XX014	712XX015
6	O-RING (INCLUDED W/ ITEMS 4 & 5)	745XX340	746XX089
7	VALVE SUB ASSEMBLY	707XX477	707XX477
8	SHCS M3 X 25 SS	798XX049	798XX049
9	SPRING	783XX042	783XX042
10	PLUNGER ASSEMBLY	707XX623	707XX623
11	O-RING (INCLUDED W/ ITEM 14)	745XX007	746XX170
12A	SEAT ASSEMBLY - STANDARD - 0.25mm	707XX110	707XX110
12B	SEAT ASSEMBLY - STANDARD - 0.30mm	707XX073	707XX073
12C	SEAT ASSEMBLY - STANDARD - 0.35mm	707XX074	707XX074
12D	SEAT ASSEMBLY - STANDARD - 0.40mm	707XX075	707XX075
12E	SEAT ASSEMBLY - STANDARD - 0.50mm	707XX076	707XX076
12F	SEAT ASSEMBLY - STANDARD - 0.60mm	707XX077	707XX077
12G	SEAT ASSEMBLY - STANDARD - 0.70mm	707XX078	707XX078
12H	SEAT ASSEMBLY - STANDARD - 0.80mm	707XX079	707XX079
13	O-RING (INCLUDED W/ ITEM 12)	745XX527	745XX527
14	NOZZLE ADAPTER ASSEMBLY (INCLUDES ITEM 11)	712XX016	712XX017

524EZR LONG NOZZLE VALVE ASSEMBLY

524EZR VALVE ASSEMBLY - 0.25mm	707XX831	707XX841
524EZR VALVE ASSEMBLY - 0.30mm	707XX832	707XX842
524EZR VALVE ASSEMBLY - 0.35mm	707XX833	707XX843
524EZR VALVE ASSEMBLY - 0.40mm	707XX834	707XX844
524EZR VALVE ASSEMBLY - 0.50mm	707XX835	707XX845
524EZR VALVE ASSEMBLY - 0.60mm	707XX836	707XX846
524EZR VALVE ASSEMBLY - 0.70mm	707XX837	707XX847
524EZR VALVE ASSEMBLY - 0.80mm	707XX838	707XX848

524EZT LONG NOZZLE VALVE ASSEMBLY

524EZT VALVE ASSEMBLY - 0.25mm	707XX851	707XX861
524EZT VALVE ASSEMBLY - 0.30mm	707XX852	707XX862
524EZT VALVE ASSEMBLY - 0.35mm	707XX853	707XX863
524EZT VALVE ASSEMBLY - 0.40mm	707XX854	707XX864
524EZT VALVE ASSEMBLY - 0.50mm	707XX855	707XX865
524EZT VALVE ASSEMBLY - 0.60mm	707XX856	707XX866
524EZT VALVE ASSEMBLY - 0.70mm	707XX857	707XX867
524EZT VALVE ASSEMBLY - 0.80mm	707XX858	707XX868

Design specifications subject to change without notice.

© Valco Cincinnati Inc. All Rights Reserved.

DS093

524 EZR/EZT LN Valve

4/2015

Valco Cincinnati Incorporated
411 Circle Freeway Drive
Cincinnati, Ohio 45246, USA
TEL: (1) 513-874-6550
FAX: (1) 513-874-3612

Melton S.L.U.
Pol. Industrial Agustinos
calle G, n. 34
31160 Orcoyen, Navarra, Spain
TEL: (34) 948-321-580
FAX: (34) 948-326-584

Valco Cincinnati, Ltd.
Unit 7-8
Hortonwood 32
Telford TF1 7YN England
TEL: (44) 1952-677911
FAX: (44) 1952-677945

Valco Cincinnati GmbH
Bonnerstrasse 349
40589 Dusseldorf-Benrath, Germany
Tel: +49 211 984 798-0
Fax: +49 211 984 798-20

Valco Melton France
Technoparc des Hautes Faventines
32 Rue Jean Bertin
26000 Valence
Tel: +33 (0)4 75 78 13 73
Fax: +33 (0)4 75 55 74 20