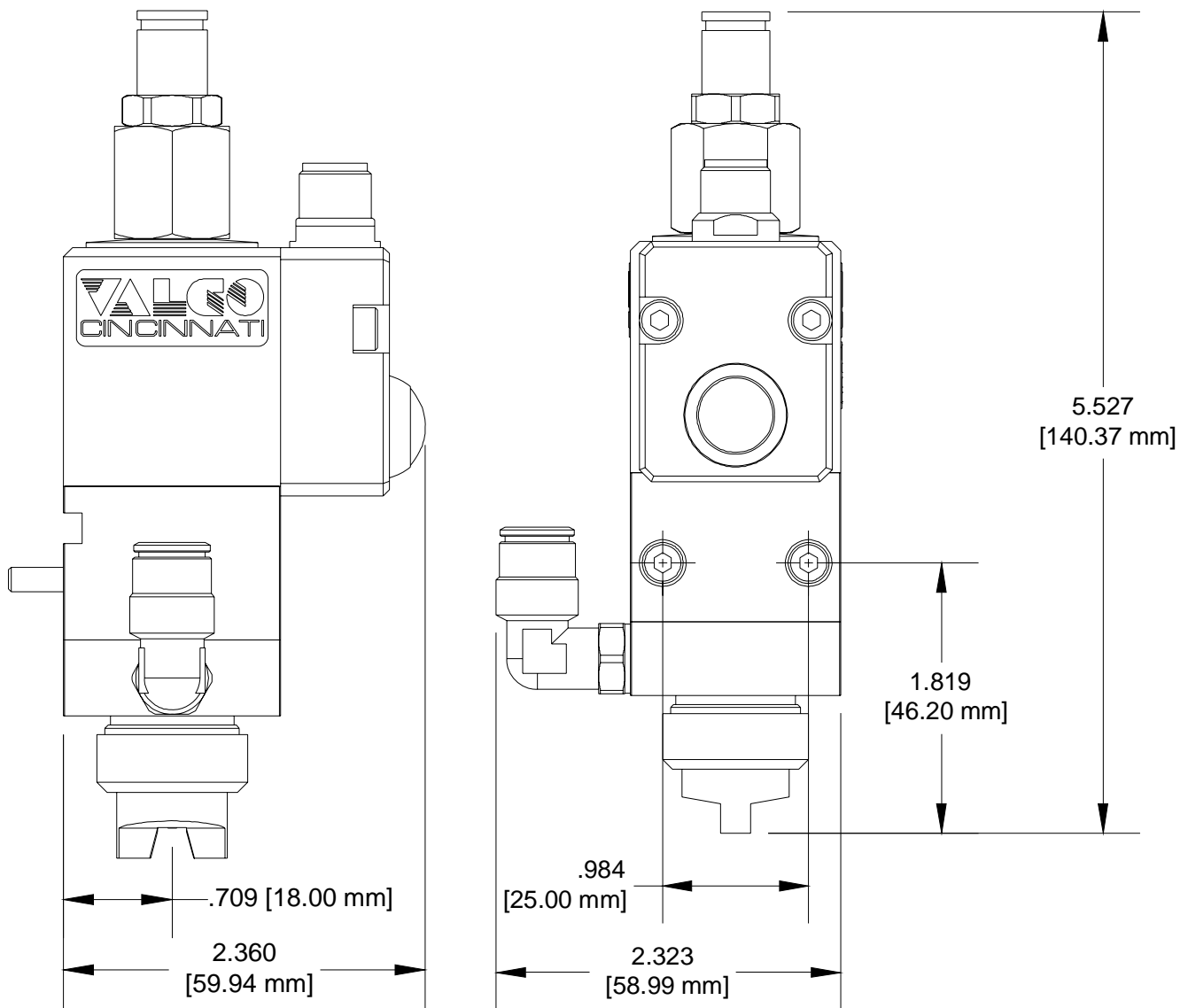


The 900S Spray Valve is an electric spray valve, using air to atomize the adhesive. The integrated solenoid allows the valve to actuate more quickly and accurately while applying short patterns. The integrated solenoid also means there are no dynamic seals to wear.

The water-spray version of the 900S valve is equipped with a .024" orifice nozzle for greater output precision. The valve also has a lighter spring, improving "ON" times, while having no significant impact on "OFF" times caused by low water viscosity.

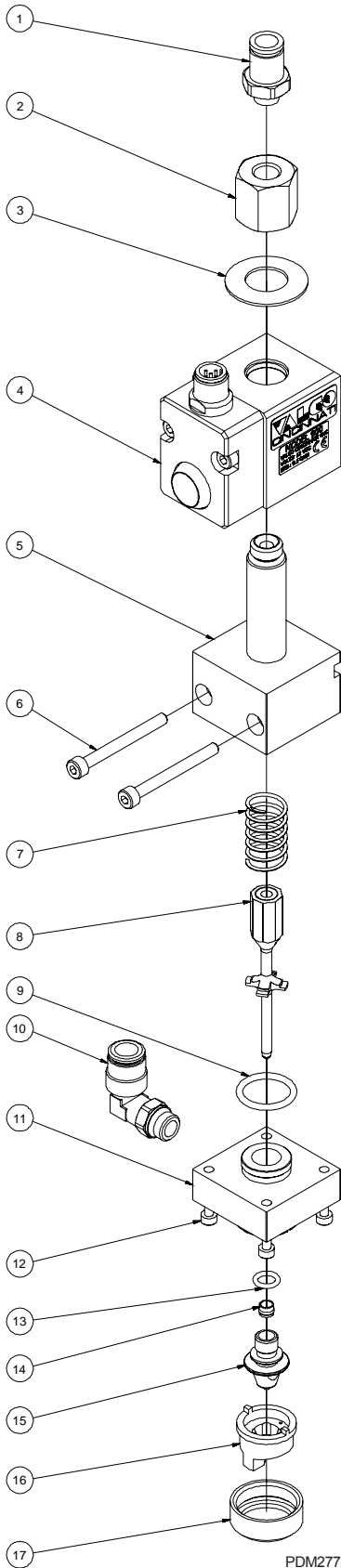
The tail-seal version of the 900S valve is equipped with a .040" orifice nozzle for easier adhesive output when using higher-viscosity adhesives.

The valve also comes with a heavier spring, improving "OFF" times.



**VALCO MELTON™**

## 900S Spray Valve



PDM2772.dwg

**REPLACEMENT PARTS**

ITEM	PART NUMBER	DESCRIPTION
1	799XX845	FITTING, 1#8BSP X 8mm
2	702XX817	ADAPTER
3	783XX043	SPRING WASHER
4	704XX872	SOLENOID ASSEMBLY
5	704XX873	VALVE BODY
6	784XX136	SHCS M4 X 40, SS
7A	783XX364	SPRING (3.2 LBS/IN)
7B	783XX365	SPRING (11.0 LBS/IN)
8	707XX623	PLUNGER
9	745XX007	O-RING
10	799XX846	ELBOW
11	702XX814	ADAPTER BLOCK
12	784XX598	SHCS, M3 X 12, SS
13	745XX113	O-RING
14	702XX811	SEAT
15A	702XX820	NOZZLE/SEAT ASSEMBLY - .024" ORIFICE (INCLUDES ITEMS 13 & 14)
15B	702XX821	NOZZLE/SEAT ASSEMBLY - .040" ORIFICE (INCLUDES ITEMS 13 & 14)
16A	702XX816	CAP FOR .024" ORIFICE
16B	702XX813	CAP FOR .040" ORIFICE
17	702XX791	RETAINER

**702XX819 - 900S SPRAY VALVE (WATER SPRAY) - INCLUDES ALL ITEMS AND ITEMS 7A, 15A AND 16A**

**702XX818 - 900S SPRAY VALVE (TAIL SEAL) - INCLUDES ALL ITEMS AND ITEMS 7B, 15B AND 16B**

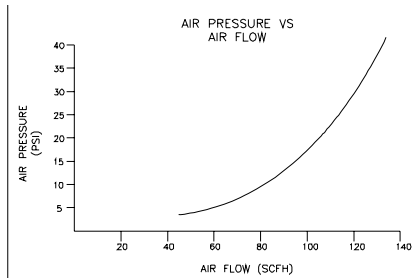
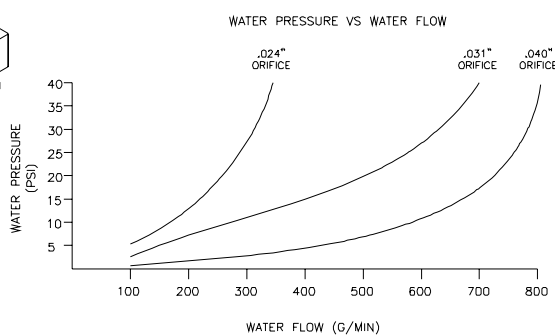
**REPAIR KITS**

702XX822 (Water Spray)

702XX823 (Tail Seal)

**INCLUDES:**

- Spring (Item 7)
- Plunger (Item 8)
- O-Ring (Item 9)
- Nozzle/Seat Assembly (Item 15)



Design specifications subject to change without notice.

© Valco Melton All Rights Reserved.

DS102 900S Spray Valve 7/2015

**Valco Cincinnati, Inc.**  
 411 Circle Freeway Drive  
 Cincinnati, OH 45246  
 TEL: (513) 874-6550  
 FAX: (513) 874-3612  
 Email: sales@valcomelton.com  
 Web: http://www.valcocincinnati.com

**Valco Cincinnati Limited**  
 Hortonwood 32  
 Telford, TFI 7YN, England  
 TEL: (+44) 1952-677911  
 FAX: (+44) 1952-677945  
 Email: sales@valco.co.uk  
 Web: http://www.valco.co.uk

**Valco Cincinnati GmbH**  
 Bonnerstrasse 349  
 40589 Dusseldorf-Benrath, Germany  
 Tel: +49 211 984 798-0  
 Fax: +49 211 984 798-20

**Melton S.L.U.**  
 Pol. Industrial Agustinos  
 calle G, n. 34  
 31160 Orcoyen, Navarra, Spain  
 TEL: (34) 948-321-580  
 FAX: (34) 948-326-584