

The AS302 Sensor is an optical analog cold-glue sensor used to detect the volume of glue applied to the product.

The sensor requires an additional sensor module PCB installed into either a VCX, MCP-12, or MCP-25MS control.

Applications

Folding cartons and specialty folder/gluer applications

Sensor Module PCB

151XX512

AS302 Glue Sensor

280XX302

Sensor Cable PCB

029xx501

Optional Mounting Brackets

Mounting Bracket w/ 524EZR Valve 739XX066
 Mounting Bracket w/ 300 Valve 739XX048
 Mounting Bracket for Sensor only BAW1860

Hack Assemblies

8mm Nylon
 2m 753xx445
 3m 753xx446
 5m 753xx447

5/16 Stainless Steel
 2m 738xx855
 3m 738xx857
 5m 738xx856

Optional Shut-Off Valve for HACK

Stainless Steel Only
 738xx858

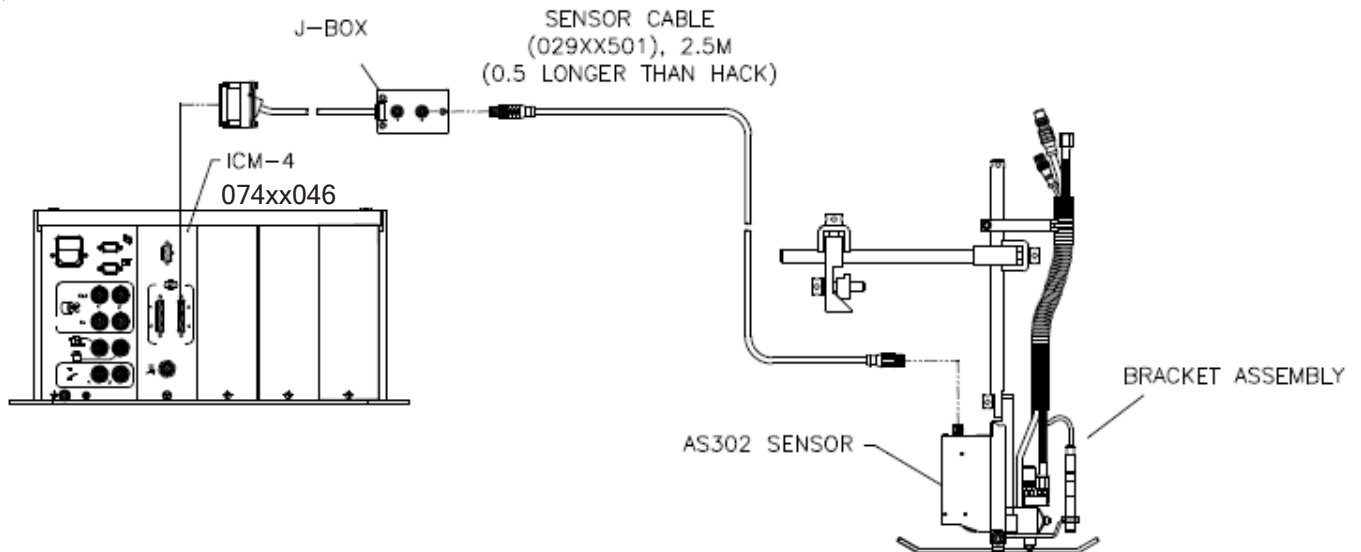
Accuracy: ± 1.5mm
 Reaction Time: < 1msec.
 Min. Length: 2mm
 Max. Machine Speed: 600 m/min
 (1950 ft/min)

Glue Sensor Cables

2m, straight 030xx862
 2.5m, straight - use with
 2m HACK 029xx501
 3m, straight 029xx480
 3.5m, straight - use with
 3m HACK 029xx502
 5m, straight 030xx823
 5.5m, straight - use with
 5m HACK 029xx503
 10m, straight 030xx863
 15m, straight 030xx864
 30m, straight 030xx865

Sensor J-Box

2-sensor J-box with
 Molded-in 2m Cable 029xx470
 2-sensor J-box with
 Molded-in 5m Cable 029xx471
 2-sensor J-box with
 Molded-in 10m Cable 029xx493
 Sensor Extension
 Cable, 5m 029xx485



VALCO MELTON™

AS302 Glue Sensor

