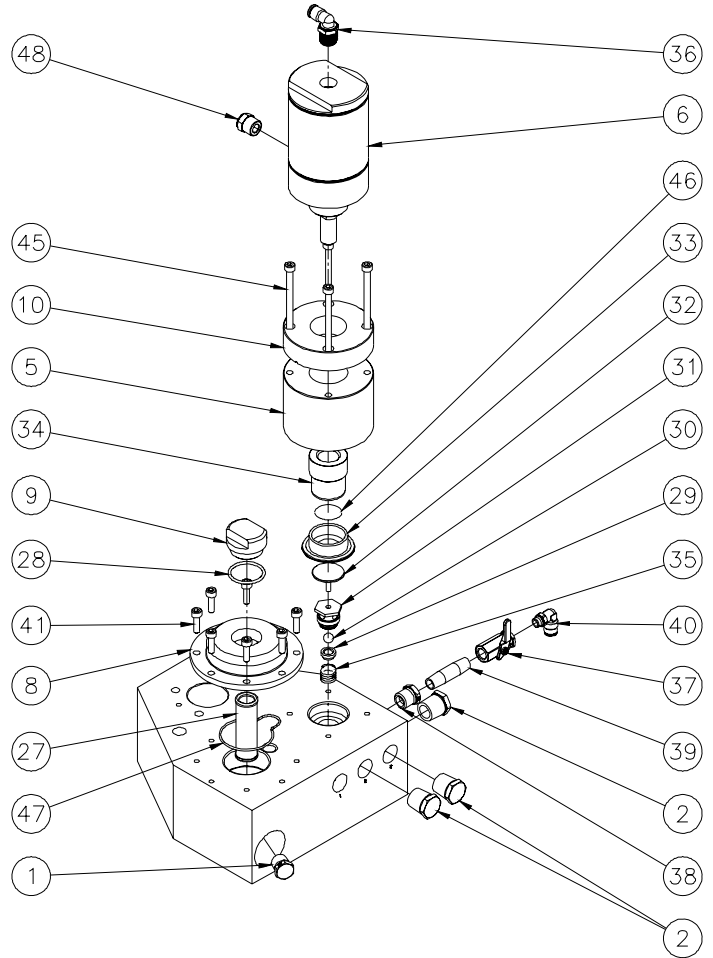
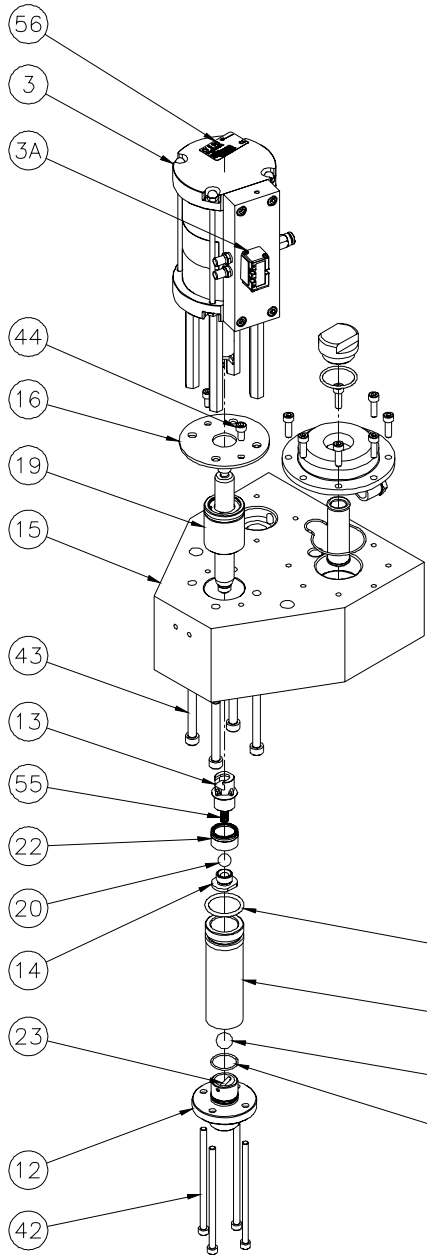


The **PFRM5** is an all-in-one Pump Combo. It consists of a 7:1 Pump, Filter, a 5:1 Regulator and a four (4) port Manifold. The **PFRM5** includes Valco's Balancing Regulator Technology, and can be used with up to four valves.

The **PFRM5** comes completely assembled, requiring only air and glue hose hook-up. The **PFRM5** also includes a Seal/Shaft Cartridge Assembly, allowing quick and easy rebuilds.



Pump/Filter/Regulator/Manifold Assembly (PFRM5)

DS095

PFRM5 Assemblies (see drawing on front) 561xx234

| | |
|--|----------|
| 1 Pipe Plug, 3/8 | 799xx854 |
| 2 Pipe Plug, 1/2 | 799xx855 |
| 3 Air Cylinder Assembly | 561xx255 |
| 3A Spool Valve | 769xx664 |
| 5 Regulator Cylinder | 561xx248 |
| 6 Air Cylinder, 3.0 dia x 1.0 stroke | 782xx393 |
| 8 Filter Cap | 561xx245 |
| 9 Filter End Cap | 593xx081 |
| 10 Regulator Cap | 561xx250 |
| 11 Pump Tube | 561xx241 |
| 12 Lower Check | 561xx242 |
| 13 Piston | 561xx244 |
| 14 Piston Check Seat | 561xx243 |
| 15 Manifold, Fluid Handling | 561xx237 |
| 16 Seal Retaining Plate | 561xx238 |
| 19 Seal Cartridge with Shaft | 561xx254 |
| 20 Ball, 1/2 dia | 561xx246 |
| 21 Ball, 5/8 dia | 561xx247 |
| 22 Piston Seal | 746xx228 |
| 23 Dowel Pin, 1/8 dia x 1 lg | 884xx298 |
| 24 O-Ring | 746xx124 |
| 25 O-Ring | 745xx088 |
| 27 Filter Screen | 593xx020 |
| 28 O-Ring | 745xx059 |
| 29 Ball Support | 593xx054 |
| 30 Ball, 3/8 dia, ceramic | 593xx053 |
| 31 Ball Seat Assembly | 593xx130 |
| 32 Activator Pin | 593xx050 |
| 33 Rolling Diaphragm | 746xx226 |
| 34 Piston | 561xx249 |
| 35 Spring | 593xx055 |
| 36 Fitting, Elbow, 3/8 NPT x 8mm | 799xx786 |
| 37 Shut-Off Valve | 703xx001 |
| 38 Bushing, 3/8 NPT x 1/4 NPT | 797xx047 |
| 39 Nipple, 1/4 NPT x 2 lg | 797xx089 |
| 40 Fitting, Elbow, 1/8 BSPP x 8mm | 797xx476 |
| 41 SHCS, M6 x 20 SS | 784xx426 |
| 42 SHCS, M6 x 120 SS | 784xx576 |
| 43 SHCS, M8 x 70 SS | 884xx279 |
| 44 SHCS, M6 x 12 SS | 798xx069 |
| 45 SHCS, M6 x 90 SS | 884xx234 |
| 46 Adhesive Transfer Tape | 781xx818 |
| 47 O-Ring | 745xx122 |
| 48 Vent Silencer, 3/8 NPT | 782xx392 |
| 55 Spring | 783xx373 |
| 56 Label | 781xx780 |

TECHNICAL DATA

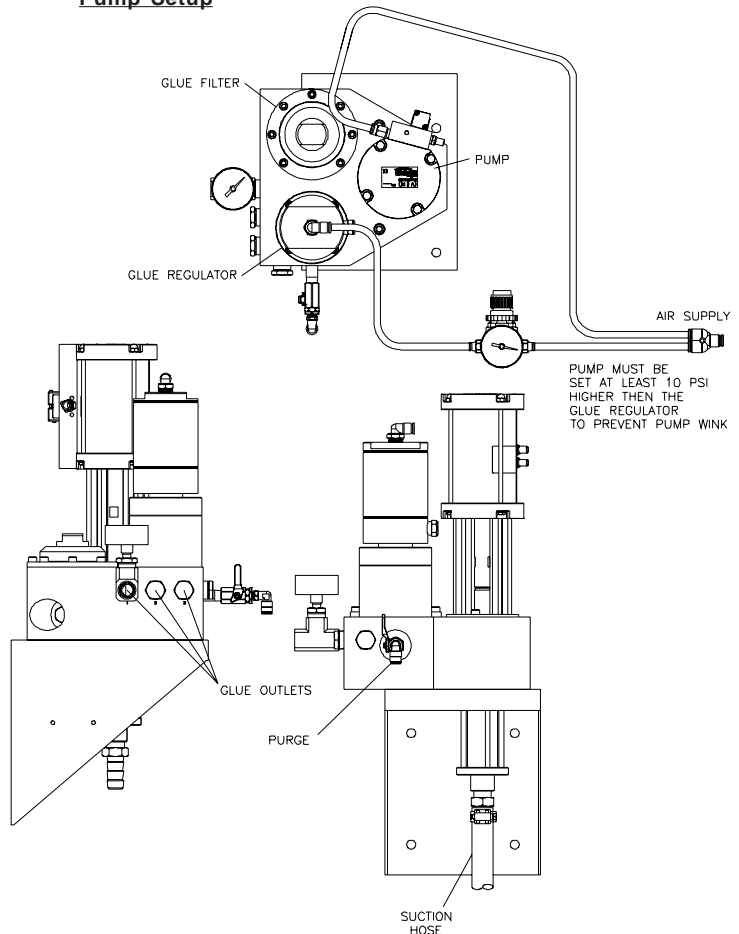
| | |
|---------------------------------|----------------|
| Max Cycles per Minute | 20 (580mL/min) |
| Height | 18.9" [480mm] |
| Applied Air Pressure | 60-80psi |
| Max Outlet Fluid Pressure | 400psi |

| | |
|--|----------|
| Wall Mounting Support Equipment Kit | 561xx235 |
| Pail Mounting Support Equipment Kit | 561xx236 |
| Drum Mounting Support Equipment Kit | 561xx291 |
| PFRM5 Rebuild Kit | 561xx259 |
| 3.5 to 1 Regulator Kit | 561xx260 |
| 2.0 to 1 Regulator Kit | 561xx261 |

PFRM5 Rebuild Kit - 561xx259

| | |
|------------------------------------|----------|
| 19 Seal Cartridge with Shaft | 561xx254 |
| 20 Ball, 1/2 dia | 561xx246 |
| 21 Ball, 5/8 dia | 561xx247 |
| 22 Piston Seal | 746xx228 |
| 24 O-Ring | 746xx124 |
| 25 O-Ring | 745xx088 |
| 28 O-Ring | 745xx059 |
| 29 Ball Support | 593xx054 |
| 30 Ball, 3/8 dia, ceramic | 593xx053 |
| 31 Ball Seat Assembly | 593xx130 |
| 32 Activator Pin | 593xx050 |
| 33 Rolling Diaphragm | 746xx226 |
| 35 Spring | 593xx055 |
| 46 Adhesive Transfer Tape | 781xx818 |
| 47 O-Ring | 745xx122 |

Pump Setup



Design specifications subject to change without notice. © Valco Cincinnati Inc. All Rights Reserved.
DS095 Pump/Filter/Regulator/Manifold Assembly (PFRM5) 12/2015

Valco Cincinnati Incorporated
411 Circle Freeway Drive
Cincinnati, Ohio 45246, USA
TEL: (1) 513-874-6550
FAX: (1) 513-874-3612

Melton S.L.U.
Pol. Industrial Agustinos
calle G, n. 34
31160 Orcoyen, Navarra, Spain
TEL: (34) 948-321-580
FAX: (34) 948-326-584

Valco Cincinnati, Ltd.
Unit 7-8
Hortonwood 32
Telford TF1 7YN England
TEL: (44) 1952-677911
FAX: (44) 1952-677945

Valco Cincinnati GmbH
Bonnerstrasse 349
40589 Dusseldorf-Benrath,
Germany
Tel: +49 211 984 798-0
Fax: +49 211 984 798-20

Valco Melton France
Technoparc des Hautes Faventines
32 Rue Jean Bertin
26000 Valence
Tel: +33 (0)4 75 78 13 73
Fax: +33 (0)4 75 55 74 20