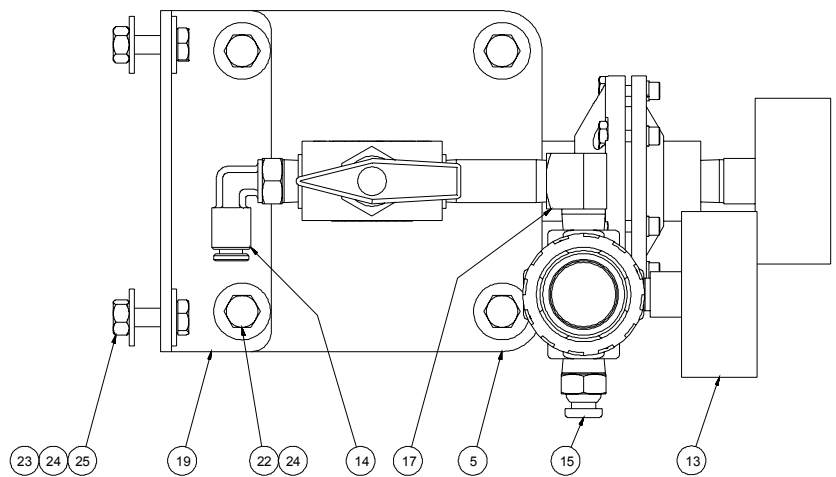
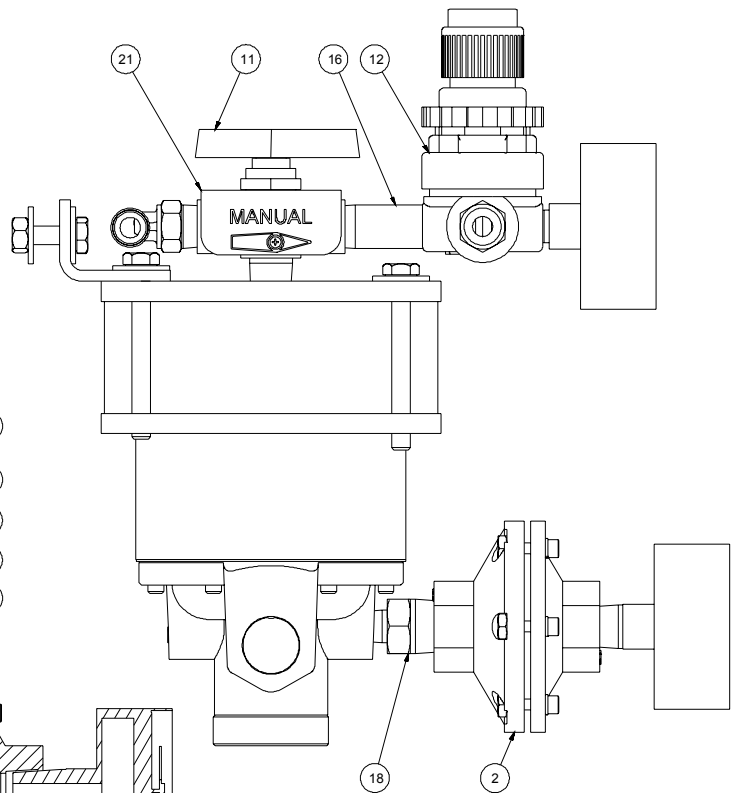
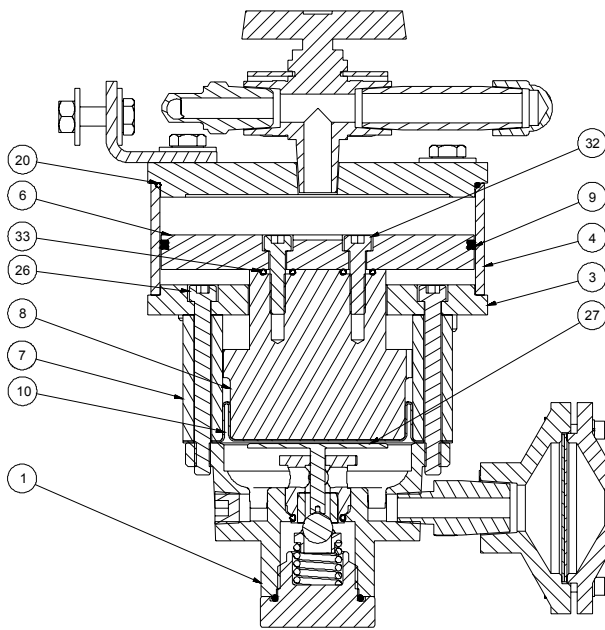


The air-piloted, pressure-balancing glue regulator is used with Valco Cincinnati's variable-speed flow controls. The regulator relieves glue pressure during production stops to prevent pattern flooding as production resumes.

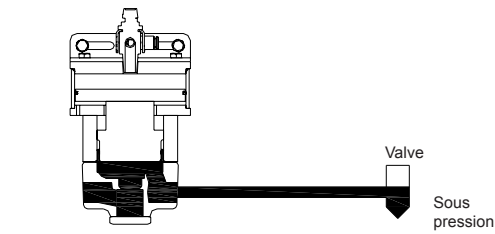
The air pressure-to-glue pressure ratio is approximately 3:1. A 1:1, 4:1 & 6:1 ratio assembly is also available. The assemblies include a three-way shutoff valve and air pressure regulator that allow operators to bypass the flow control for system purge and testing.



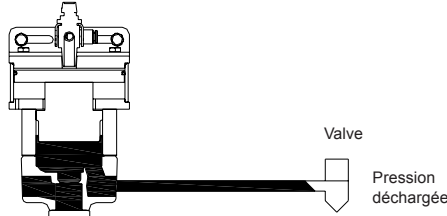
Pressure-Balancing Glue Regulator

for use with variable-speed
flow controls (3:1 ratio)

DS070

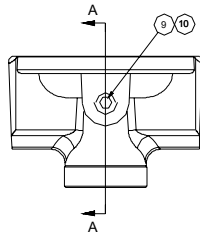
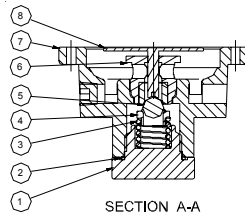


Sous pression (machine en marche)



Aucune pression (machine arrêtée)

When used with EPC, the glue pressure decreases as the machine speed decreases. When the machine is stopped, the glue pressure is relieved from the hose connected to the valve. If the valve needs to be purged or fired while the machine is stopped, air must be supplied to the dome of the regulator by a separate air line.



Bowl Assembly (see drawing above)

Bowl assembly, NPT	593xx411
Bowl assembly, BSPP	593xx410
1 Bottom plug - knurled	593xx297
2 O-ring	745xx080
3 Spring	593xx055
4 Ball support	593xx054
5 Ball, ceramic 3/8"	593xx053
6 Ball seat modification	593xx130
7A Regulator housing, NPT	593xx350
7B Regulator housing, BSPP	593xx351
8 Activator pin	593xx262
9A Socket head pipe plug 1/8 NPT	799xx039
9B Plug, 1/8 BSPP	799xx690

Glue Regulator Assemblies (see drawing on front)

Glue regulator, 3:1 ratio, 0-300 psi, NPT	593xx442
Glue regulator, 3:1 ratio, 0-25 bar, BSPP	593xx443
Glue regulator, 3:1 ratio, Martin	593xx494
1A Bowl Assy. Imp. Bal. Reg.	593xx411
1B Bowl Assy. Metric	593xx410
2A Gauge and Protector Assy. 0-300 psi	786xx112
2B Gauge, Pressure	786xx110
3 Plate, Adapter Flange	593xx444
4 Cylinder, Upper Air	593xx445
5 Cap, Air Cylinder	593xx446
6 Piston, Upper 3:1 Bal Reg	593xx447
7 Cylinder, Lower Fluid	593xx448
8 Piston, Lower 3:1 Bal Reg	593xx449
9 Quad Ring	746xx122
10 Rolling Diaphragm, Mod	746xx114
11 3-Way Ball Valve	704xx745
12 Regulator, Air	594xx114
13 Gauge 960LP	786xx001
14A Elbow-90, 1/4 NPT x 1/4 Tube	799xx169
14B Elbow-90, 1/4 NPT x 5/16 Tube	799xx821
14C Elbow, 1/4 NPT x 5/16 Tube	799xx821
15A Male Connector 1/4I x 1/4 MNPT	799xx723
15B Fitting, 1/4 NPT x 5/16 Tube	797xx395
15C Fitting, 1/4 NPT x 5/16 Tube	797xx395
16 Long Nipple 1/4 x 2 Lg.	797xx089
17 Street Elbow-90 F-M 1/4 x 1/4	797xx007
18A Reducer M-M 3/8 x 1/8	792xx330
18B Coupling, 1/4 NPT-F x 1/8 BSPP-M	792xx137
19 Bracket, Mounting	593xx450
20 O-ring	745xx144
21 Label, Prop Bal Reg	781xx817
22 Screw, 55mm	784xx886
23 Screw, 20mm, SS	784xx426
24 Flat Washer, M6	784xx183
25 Locknut, M6, 0801.0205	798xx416
26 Screw, 55mm	784xx649
27 Tape, Adhesive Transfer	781xx818
28 Tubing	755xx007
29 Tee F-F-F 1/4	797xx023
30 Label, Logo	794xx917
32 Screw, 20mm	798xx047
33 O-ring	745xx103
34 Adhesive Transfer Tape	782xx043
37 Washer, copper	793xx470

Rebuild Kit

Rebuild kit for 3:1 regulator assembly	593xx453
1 Diaphragm	746xx114
2 Adhesive Transfer Tape	781xx821
3 Quad Ring	746xx122
4 O-ring	745xx144
5 O-ring	745xx080
6 Spring	593xx055
7 Ball support	593xx054
8 Ball	593xx053
9 Ball Seat Assembly	593xx130
10 Male Quick Disconnect	752xx004
11 Bushing M-F 1/2 x 1/4	797xx049
12 Hex Head Pipe Plug 1/2	797xx040
13 O-ring	745xx103
14 Actuator Pin	593xx262
15 Illustration Drawing	999xd593-10