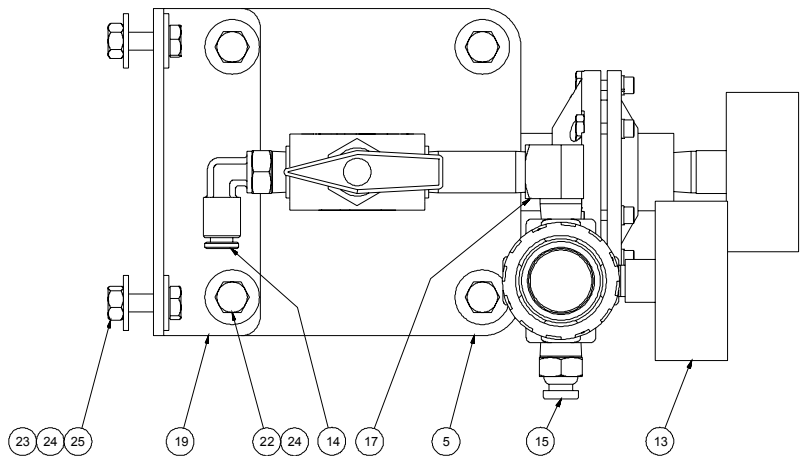
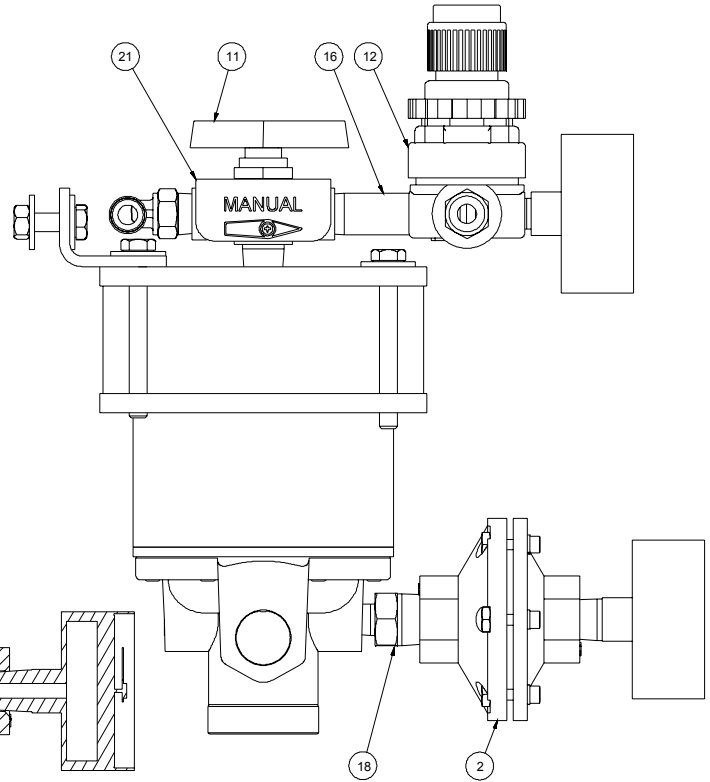
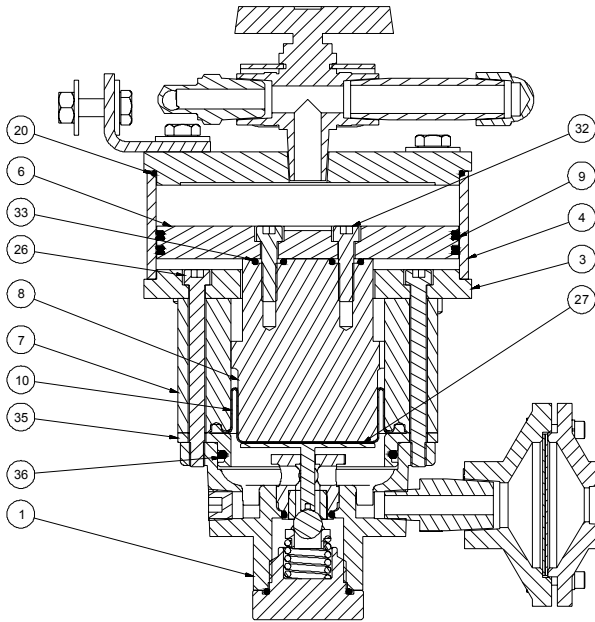


The air-piloted, **pressure-balancing glue regulator** is used with Valco Cincinnati's variable-speed flow controls. The regulator relieves glue pressure during production stops to prevent pattern flooding as production resumes. The air pressure-to-glue pressure ratio is approximately 4:1. A 1:1, 3:1 & 6:1 ratio assembly are also available.

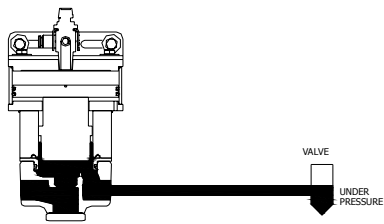
The assemblies include a three-way shutoff valve and air pressure regulator that allow operators to bypass the flow control for system purge and testing.



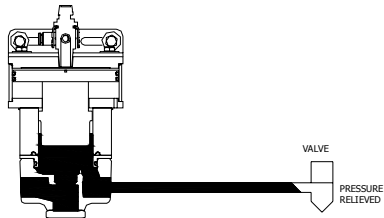
Pressure-Balancing Glue Regulator

for use with variable-speed flow controls

DS080

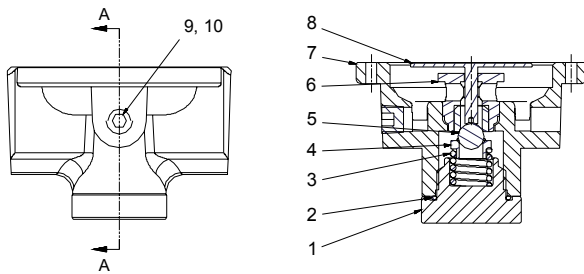


Under Pressure (Machine Running)



No Pressure (Machine Stopped)

When used with EPC, the glue pressure decreases as the machine speed decreases. When the machine is stopped, the glue pressure is relieved from the hose connected to the valve. If the valve needs to be purged or fired while the machine is stopped, air must be supplied to the dome of the regulator by a separate air line.



Bowl Assembly (see drawing above)

Bowl Assembly, NPT	593xx411
Bowl Assembly, BSPP	593xx410
1 Bottom Plug - Knurled	593xx297
2 O-ring	745xx080
3 Spring	593xx055
4 Ball Support	593xx054
5 Ball, Ceramic 3/8"	593xx053
6 Ball Seat Modification	593xx130
7A Regulator Housing, NPT	593xx350
7B Regulator Housing, BSPP	593xx351
8 Activator Pin	593xx262
9A Socket Head Pipe Plug 1/8 NPT	799xx039
9B Plug, 1/8 BSPP	799xx690

Glue Regulator Assemblies (see drawing on front)

Glue Regulator, 4:1 ratio, NPT	593xx471
Glue Regulator, 4:1 ratio, BSPP Metric	593xx472
1A Bowl Assy, 1:1 Imp, Bal Reg	593xx411
1B Bowl Assy, Metric	593xx410
2A Gauge and Protector Assy.	786xx083
2B Gauge, HP	786xx082
3 Flange Adapter, Fluid Cylinder	593xx444
4 Air Cylinder	593xx445
5 Cap, Air Cylinder	593xx446
6 Piston, Upper	593xx470
7 Cylinder, Lower Fluid Bonnet	593xx474
8 Piston, Lower	593xx473
9 Quad Ring	746xx122
10 Rolling Diaphragm	746xx155
11 3-way Ball Valve	704xx745
12 Regulator	594xx114
13 Gauge 960LP	786xx001
14A Elbow 90, 1/4 NPT X 1/4 Tube	799xx169
14B Elbow 90, 1/4 NPT X 5/16 Tube	799xx821
15A Male Connector, 1/4 NPT X 1/4 Tube	799xx723
15B Fitting, 1/4 NPT X 5/16 Tube	797xx395
16 Nipple, 1/4 NPT	797xx089
17 Street Elbow 90 F-M 1/4 X 1/4	797xx007
18A Reducer M-M 3/8 X 1/8	792xx330
18B Adapter 1/4 NPT-F X 1/8 BSPP-M	792xx137
19 Mounting Bracket	593xx540
20 O-ring	745xx144
21 Label	781xx817
22 Screw, M6 X 55mm	784xx886
23 Screw, M6 X 20mm	784xx426
24 Flat Washer M6	784xx183
25 Hex Nut M6	798xx416
26 Screw, M5 X 60mm	798xx113
27 Adhesive Transfer Tape	781xx818
28 1/4" Tubing	755xx007
29 Tee F-F-F 1/4 NPT	797xx023
30 Label, Logo	794xx917
31 Data Sheet, Bal Reg 4:1 Air	DS080
32 Screw M5 X 20mm	798xx047
33 O-ring	745xx103
35 Plate, Adapter Flange	593xx475
36 O-ring	745xx398
37 Washer, copper	793xx470

Rebuild Kit

Rebuild Kit for 4:1 Regulator Assembly	593xx476
1 Rolling Diaphragm	746xx155
2 Adhesive Transfer Tape	781xx821
3 Quad Ring	746xx122
4 O-ring	745xx144
5 O-ring	745xx080
6 Spring	593xx055
7 Ball Support	593xx054
8 Ball	593xx053
9 Ball Seat Modification	593xx130
10 Male Quick Disconnect	752xx004
11 Bushing M-F 1/2 x 1/4	797xx049
12 Hex Head Pipe Plug 1/2	797xx040
13 O-ring	745xx103
14 O-ring	745xx398
15 Actuator Pin	593xx262
16 Illustration	999XD593-16