

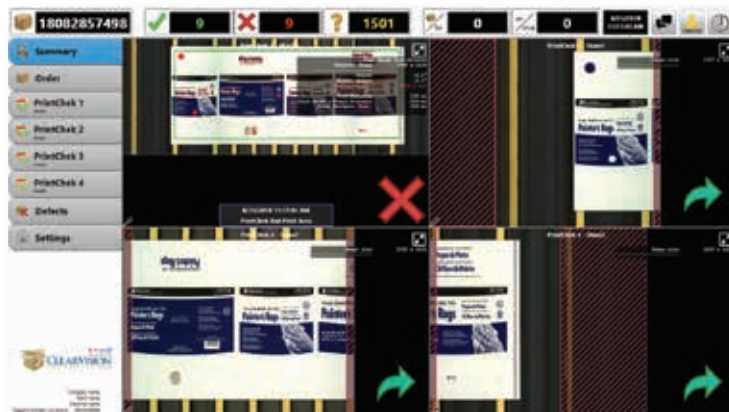


PRINTCHEK



HOW IT WORKS

PrintChek represents a new frontier in print detection for the corrugated industry. Our PrintChek cameras detect defects down to 2mm and image every box across the entire press before it's die-cut. PrintChek full sheet corrugated inspection allows you to select areas such as printing, logos, etc. and view them in closer detail. Pair PrintChek with our MeasurementChek system and begin to measure usage and quality statistics which you can then export through Excel.



FEATURES

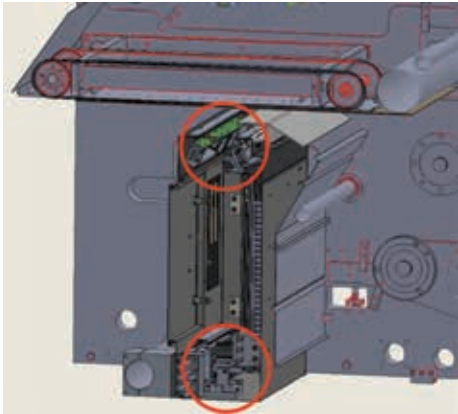
PrintChek inspects the following:

- Spots/hickeys
- Registration (color-to-color and color-to-cut)
- Stripes
- Scratches
- Missing print
- Smearing
- Double print/ghosting
- Drying
- Barcode health check
- Blank measurement and skew
- Box damage including de-lam on surface being inspected
- Delta-e color measurement



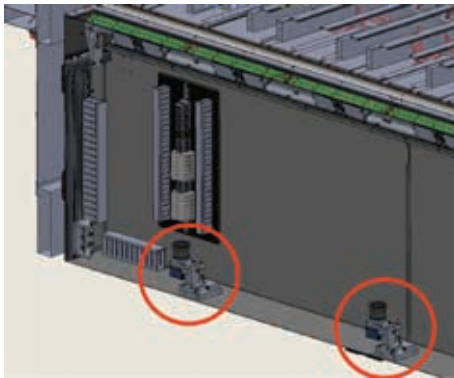
HOW IT WORKS

- Prior to Die-Cutter
- Empty print section
- Dryer area
- Above or below sheet depending on machine-type



COMPONENTS

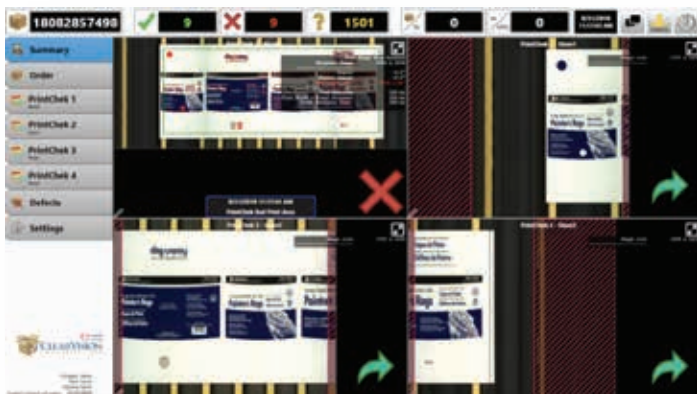
- Line-scan cameras
- Lighting Modules
- Image processing computer
- Operator Interface
- Sheet guiding
- Air blow-off
- Lighting Power Supplies
- Cooling



DETAILS

In-field adjustable:

- Lighting intensity
- Lighting angle
- Camera alignment
- Resolution – 0.5mm [0.020”]
- Minimum defect size – 2mm [0.080”]
- Color delta e differences of >3



WORKING WITH PRINTCHEK

- Familiar ClearVision interface
- Large full-sheet images
- Easy to enable and configure tolerances and tests
- Full local defect data collection
- Archival image management
- Easy arming

USE PRINTCHEK WITH OUR ENTIRE RANGE OF CLEARVISION QUALITY INSPECTION SYSTEMS:



GLUECHEK



FOLDCHEK



REGCHEK



LASERCHEK



SHADOWCHEK



MEGAGLUECHEK



WINDOWCHEK



CODECHEK



BRAILLECHEK

Valco Melton • 497 Circle Freeway Dr, Ste. 490 • Cincinnati • Ohio • 45246 • USA

Tel: +1 513 874 6550 • Fax: +1 513 874 3612 • inquiry@valcomelton.com • valcomelton.com